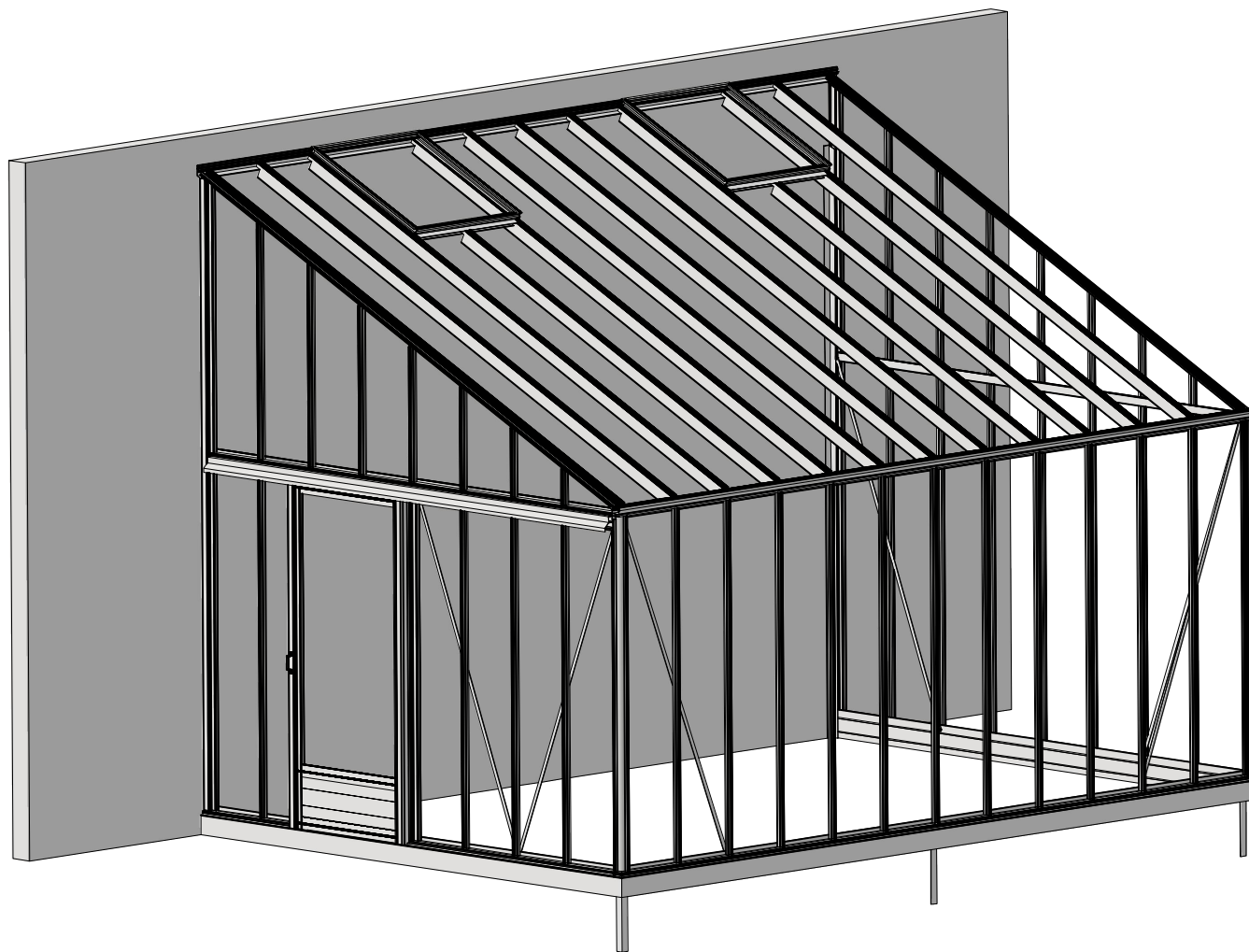
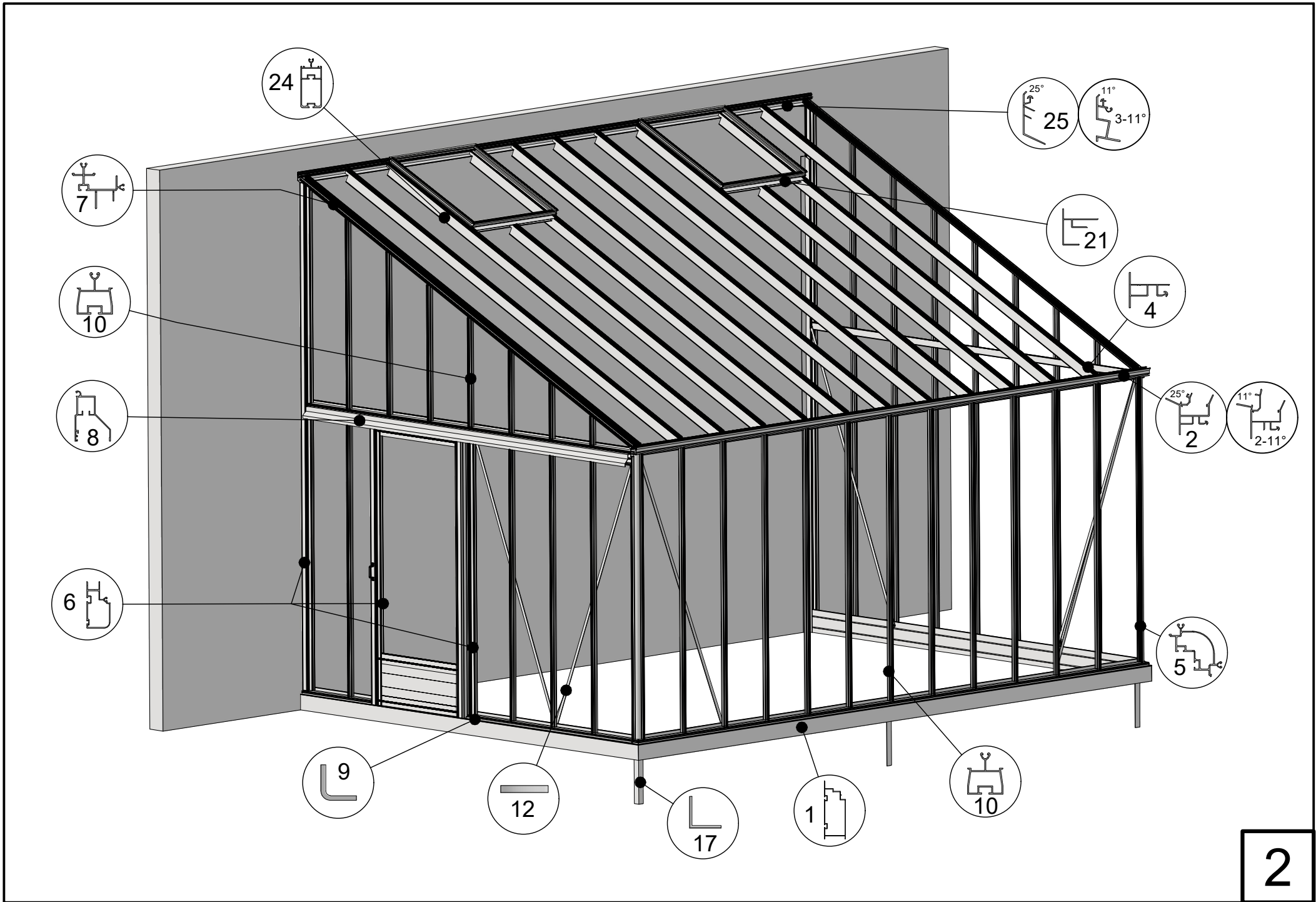

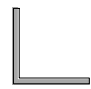
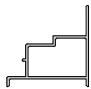

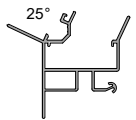
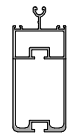


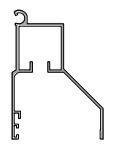

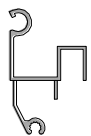
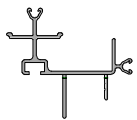
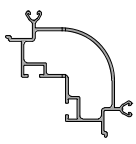
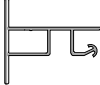
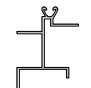
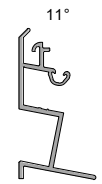
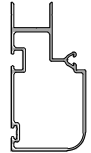

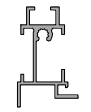
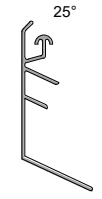


Euro-Muurserre 3,07 special



08-11-2023



| Profile list | | | | | | | | | | | |
|---|-------|------------|---|----|------------|---|-----|------------|---|-------|------------|
| - | NR | Profile NR | - | NR | Profile NR | - | NR | Profile NR | - | NR | Profile NR |
|  | 2-11° | 7151 |  | 17 | L40/40/2 |  | 1A | 17552 |  | 9 | L15/15/2 |
|  | 2 | 11788 |  | 24 | 10968 |  | 12 | 7070 |  | 21 | 29577 |
|  | 8 | 7633 |  | 1 | 17538 |  | 18 | 17542 |  | 7 | 7151 |
|  | 5 | 17548 |  | 4 | 17549 |  | 19 | 17543 |  | 3-11° | 11280 |
|  | 6 | 9915 |  | 10 | 17541 |  | 20T | 28513 |  | 25 | 17666 |

- Attention! Check inside the foundation for more profiles.
- Please fasten screws and nuts hand-tight.

- Achtung! Prüfen sie das fundament für weitere profile.
- Schraube und Mutter bitte handfest festziehen.

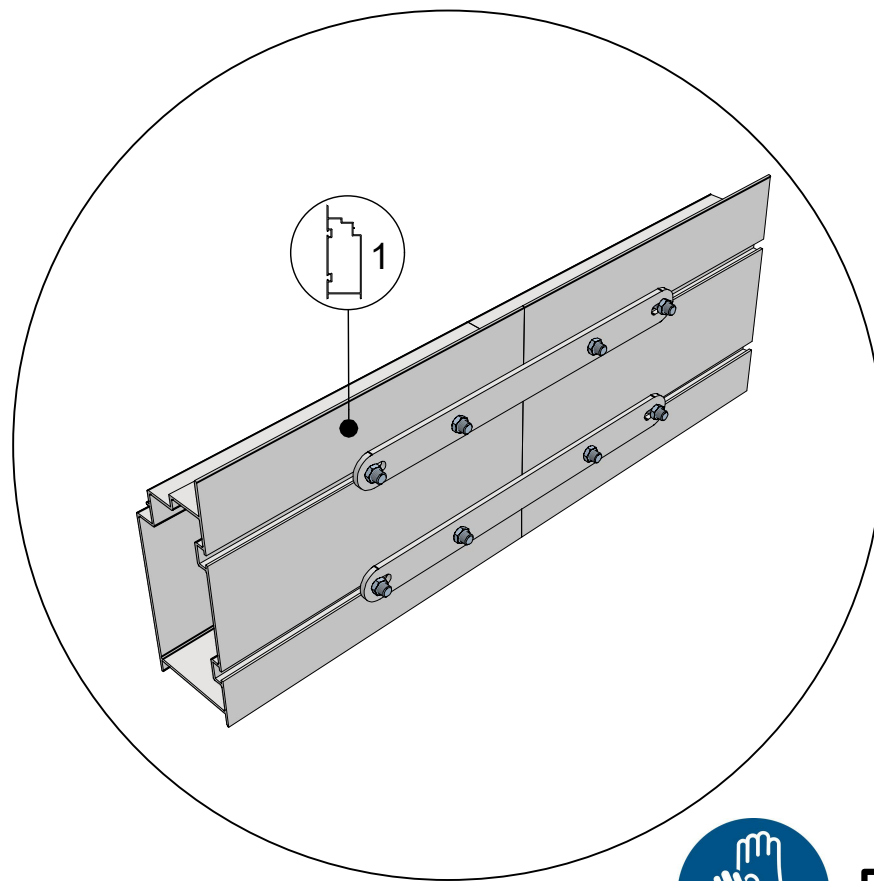
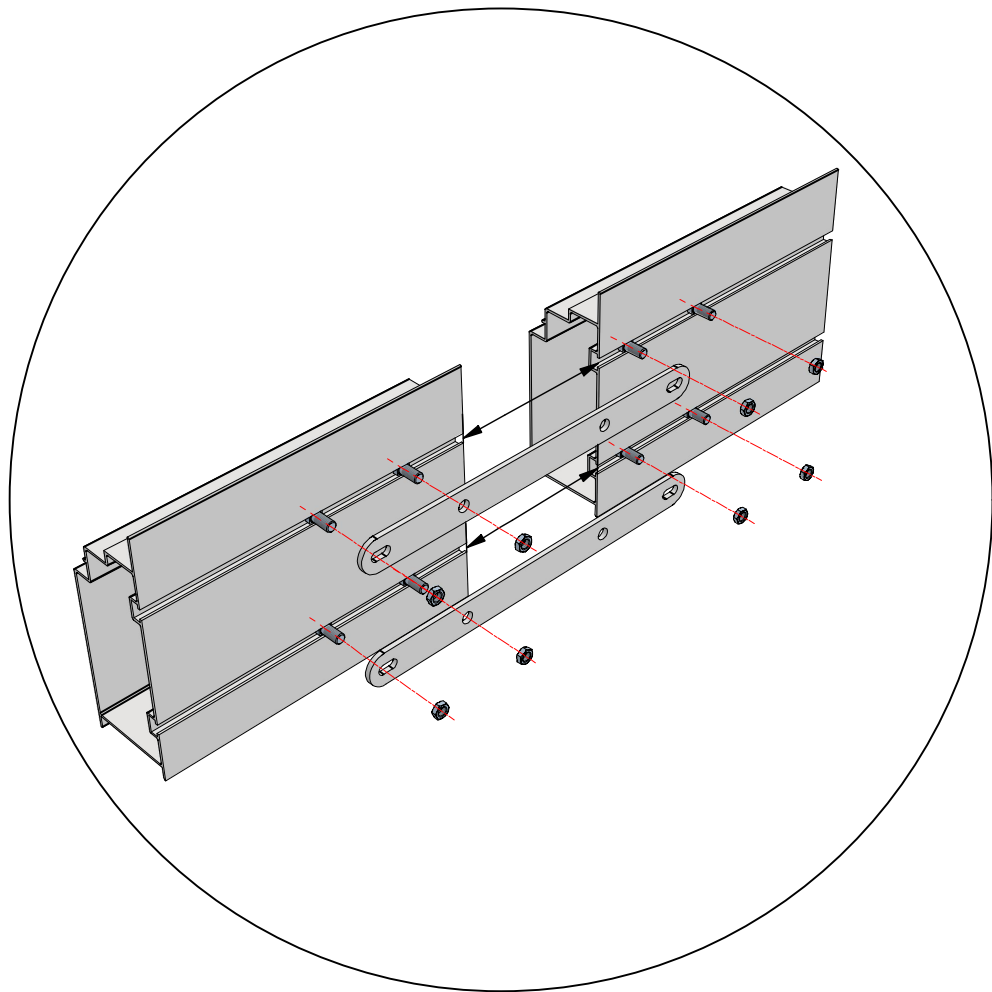
- Opgelet! kijk in de fundering voor andere profielen.
- Bout en moer a.u.b. handvast aandraaien.

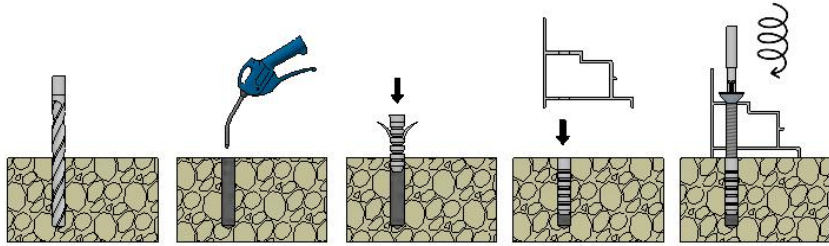
- Attention! Regarde à l'intérieur du fondation pour plussier profils.
- Serrez les écrous et vis à la main s.v.p.

- Observera at en del profiler ligger i sockelprofilen!!
- Dra åt skruven och muttern handfast.

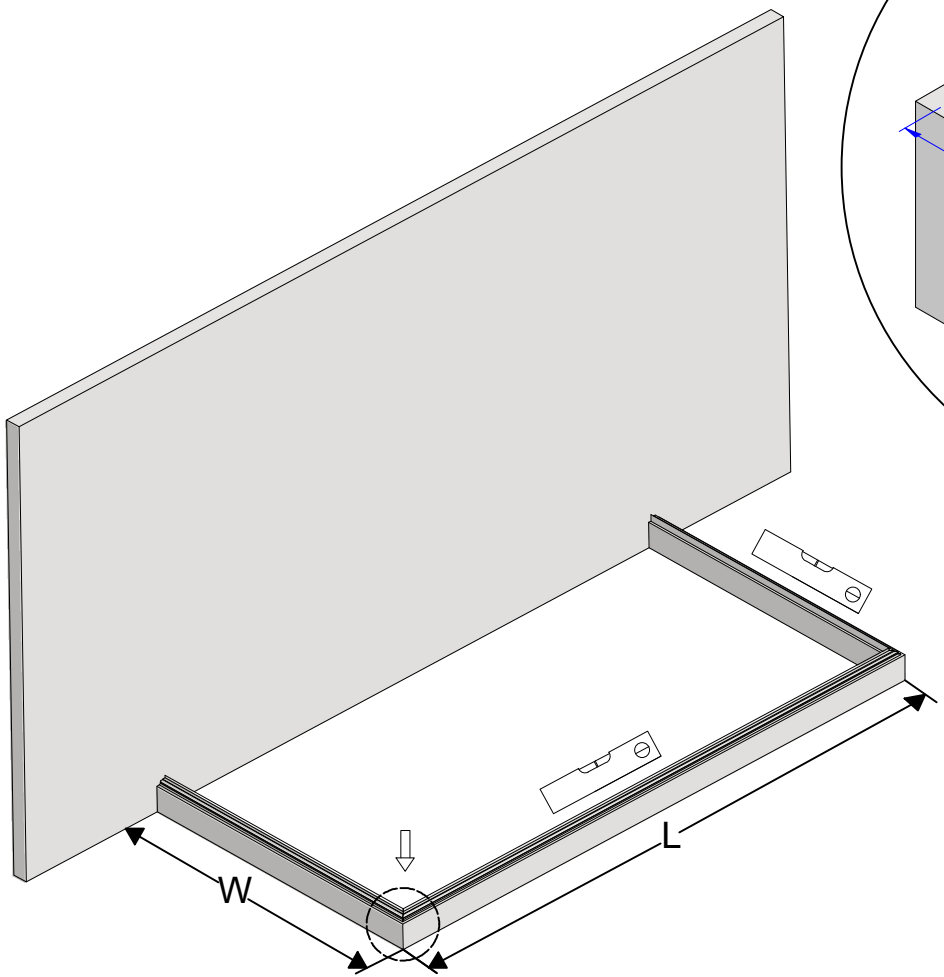
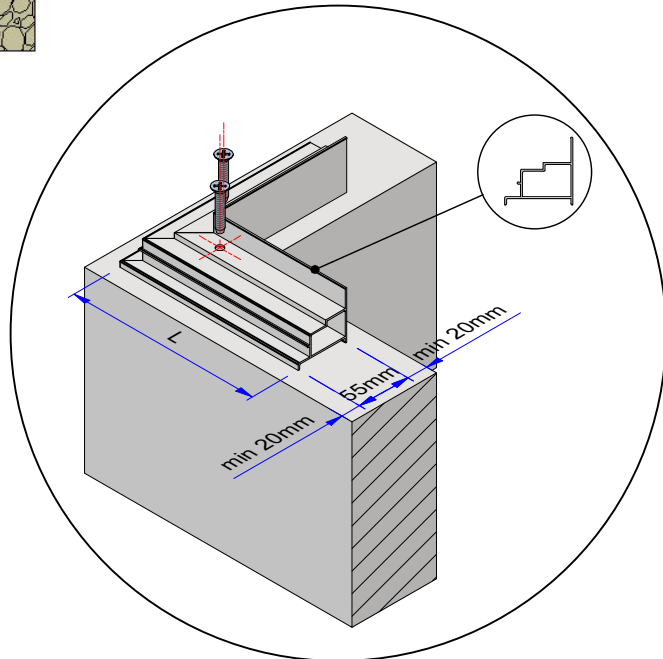
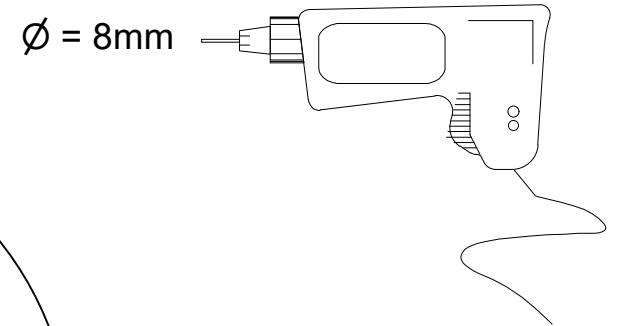
Euro-Muurserre > 6,04 M

 = M6x12 (8x)






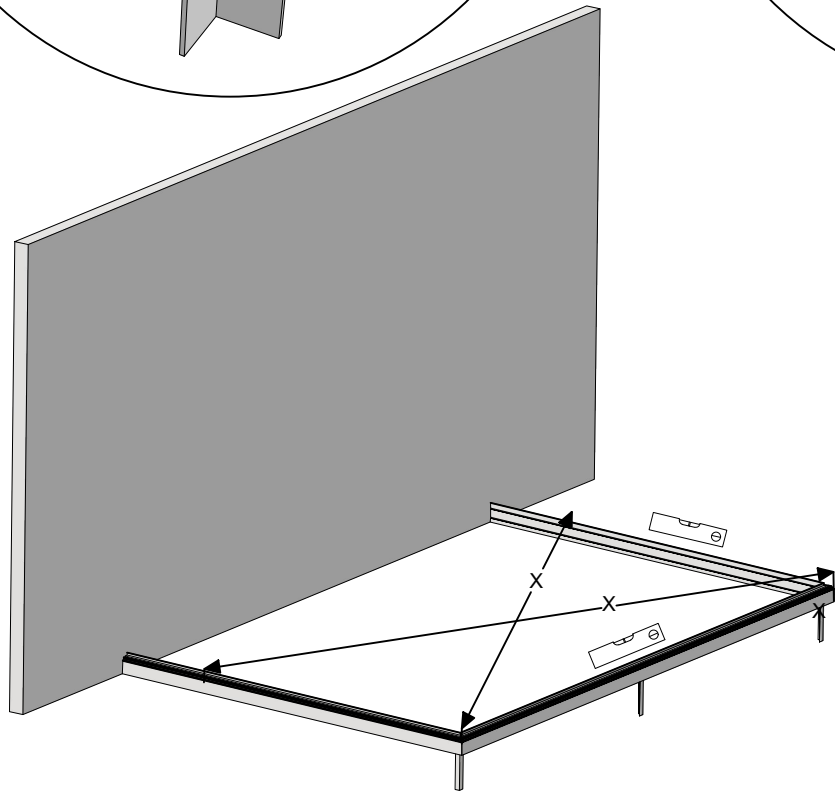
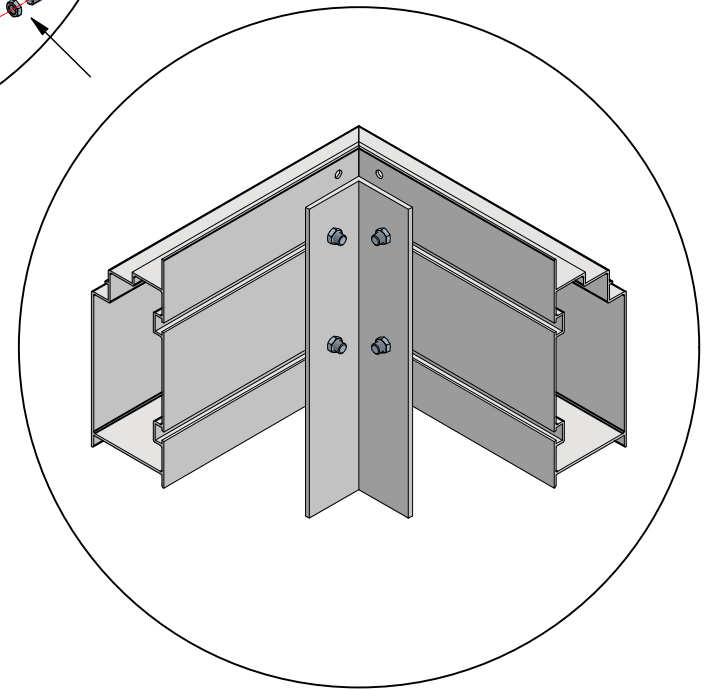
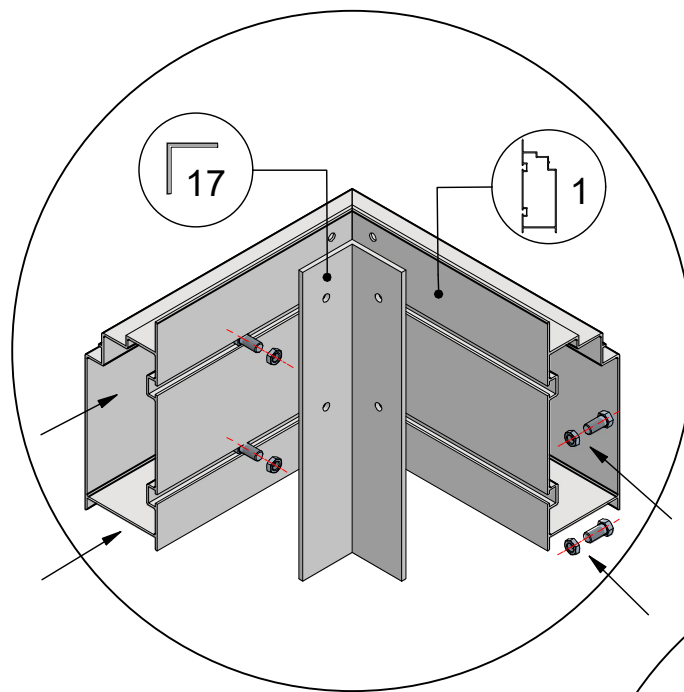
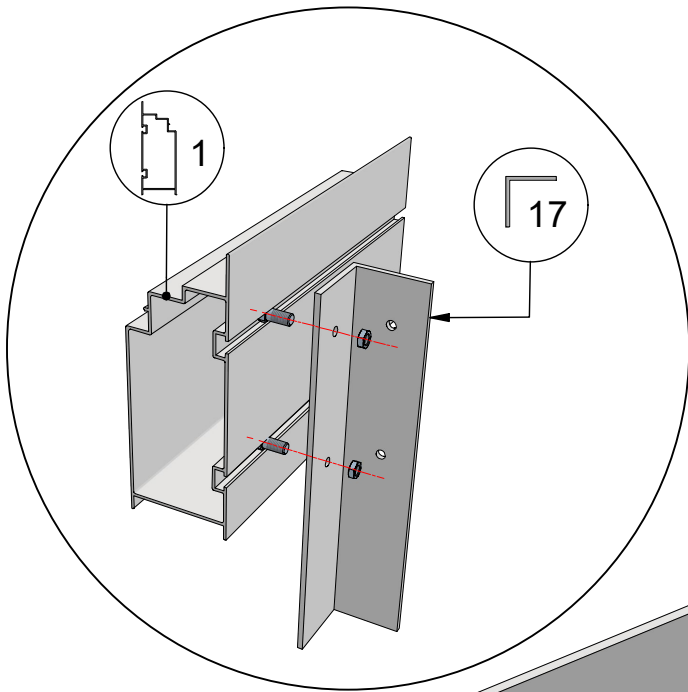
 = 8x40   = 6x120



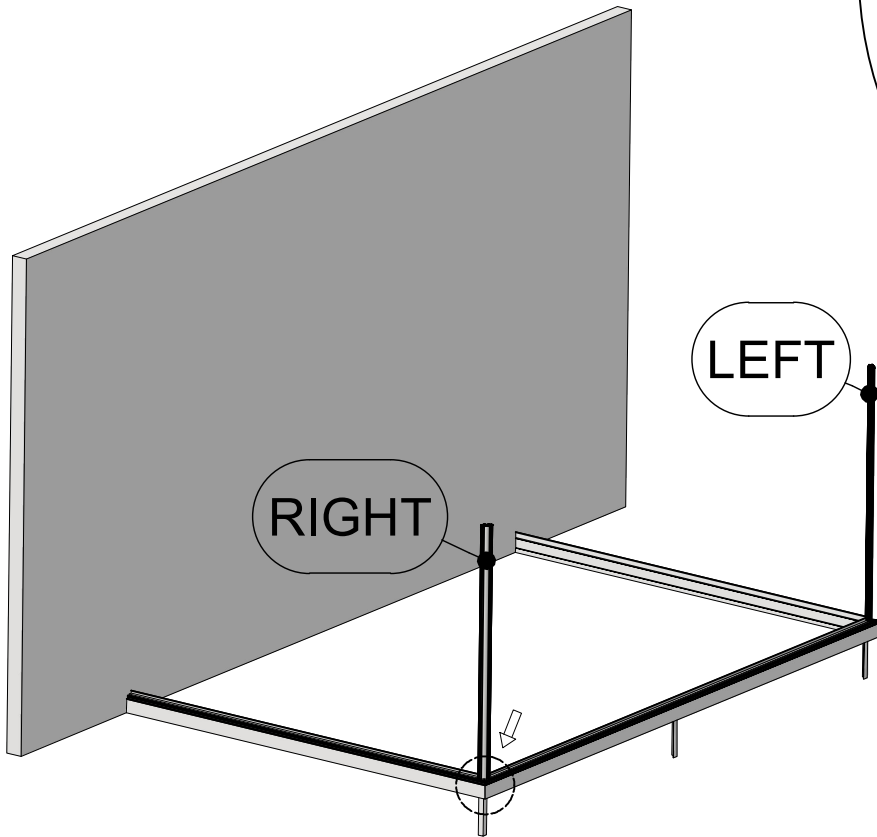
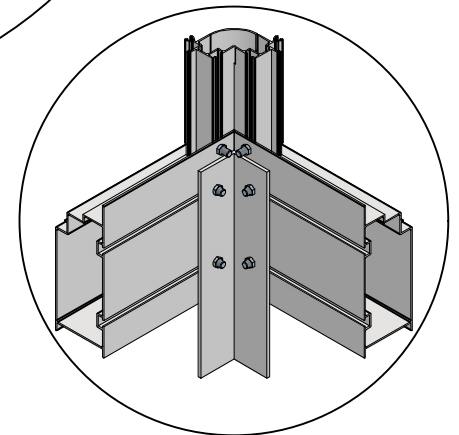
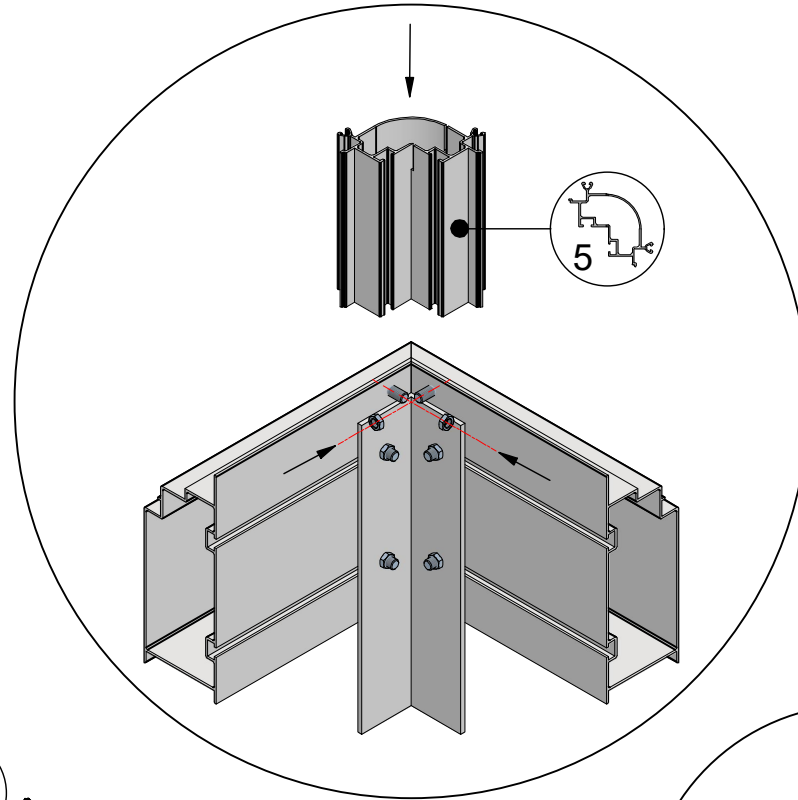
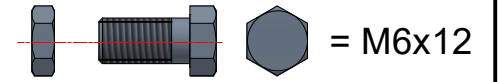
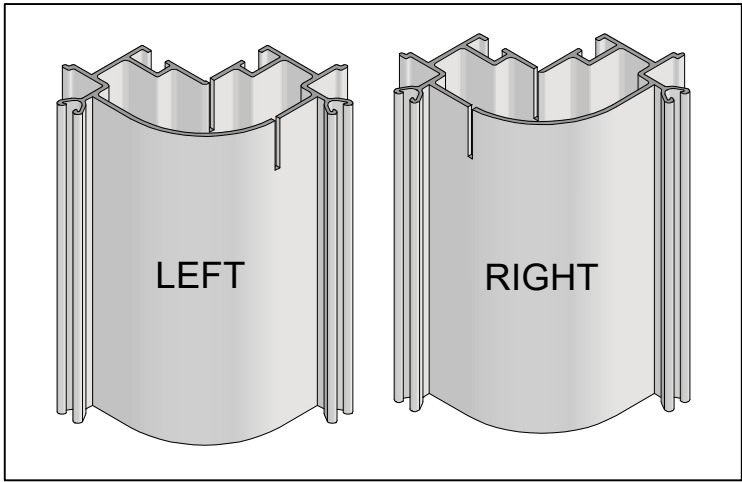
| W | L |
|------|------|
| 3066 | 2347 |
| | 3084 |
| | 3821 |
| | 4558 |
| | 5295 |
| | 6032 |
| | 6769 |
| | 7506 |
| | 8243 |
| | 8980 |

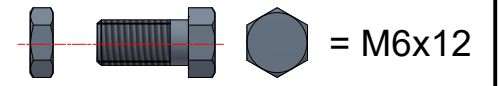


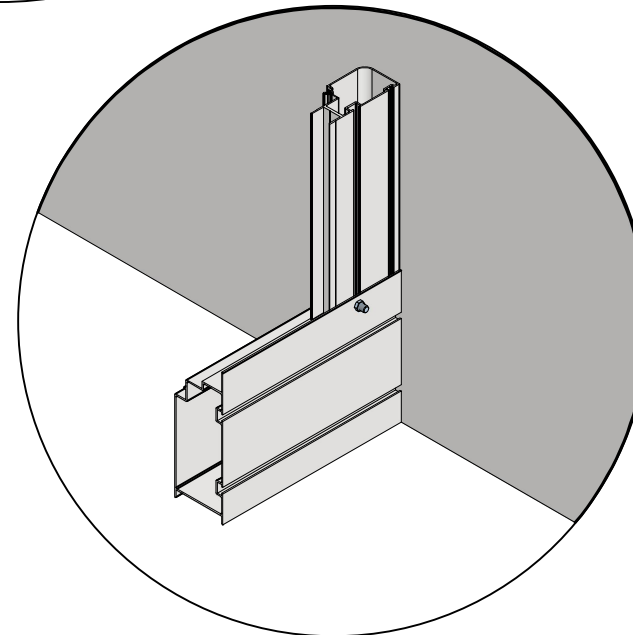
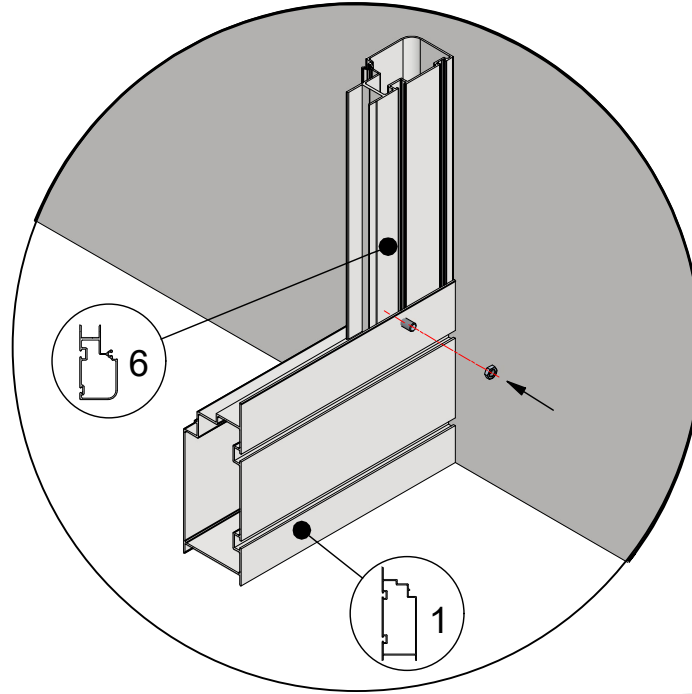
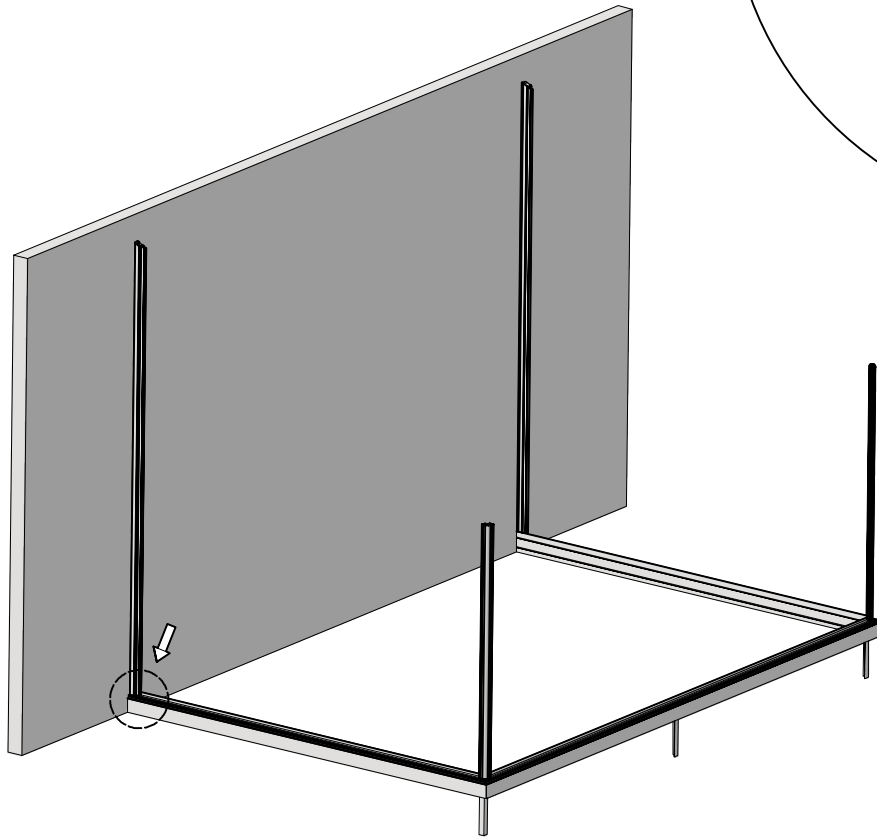
 = M6x12

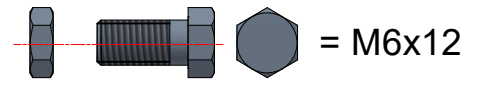


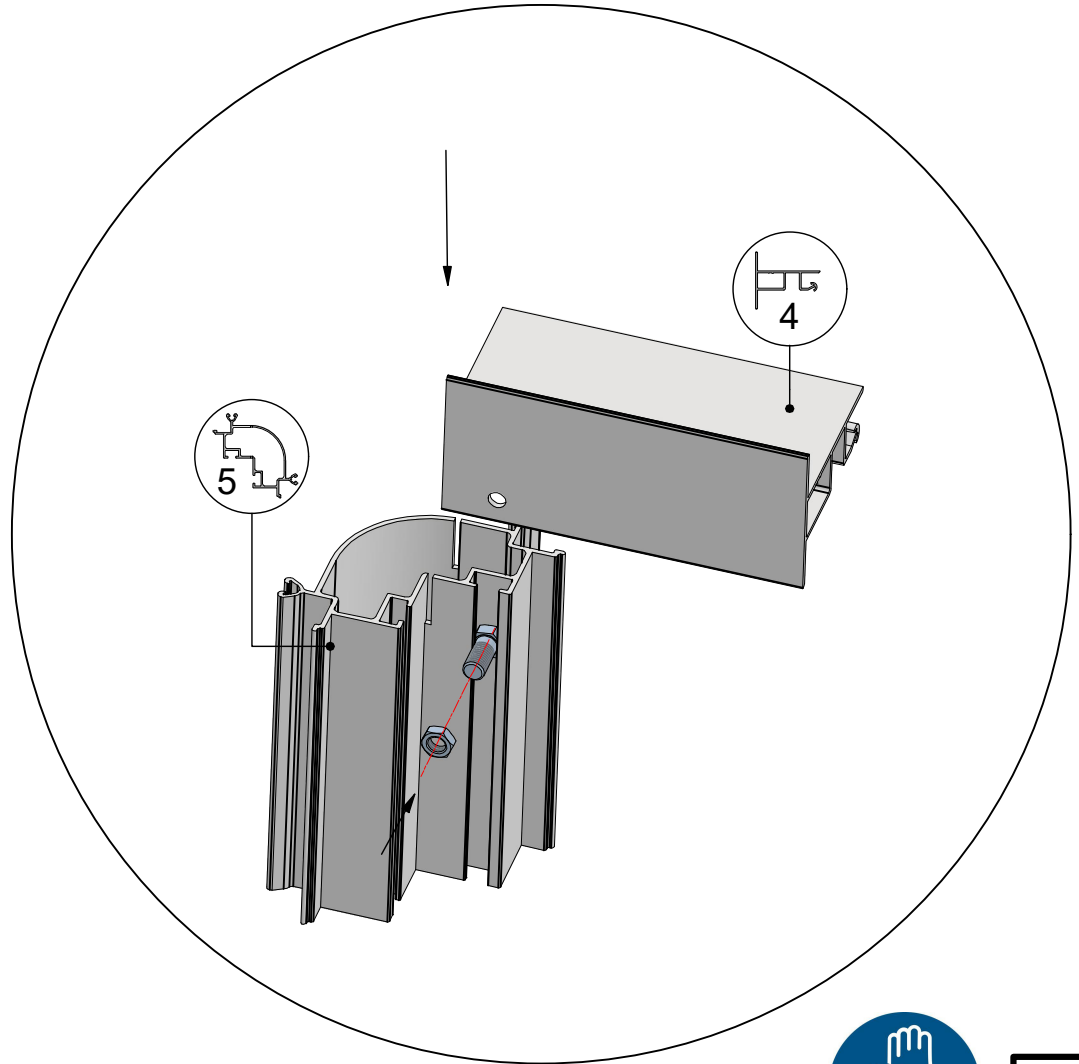
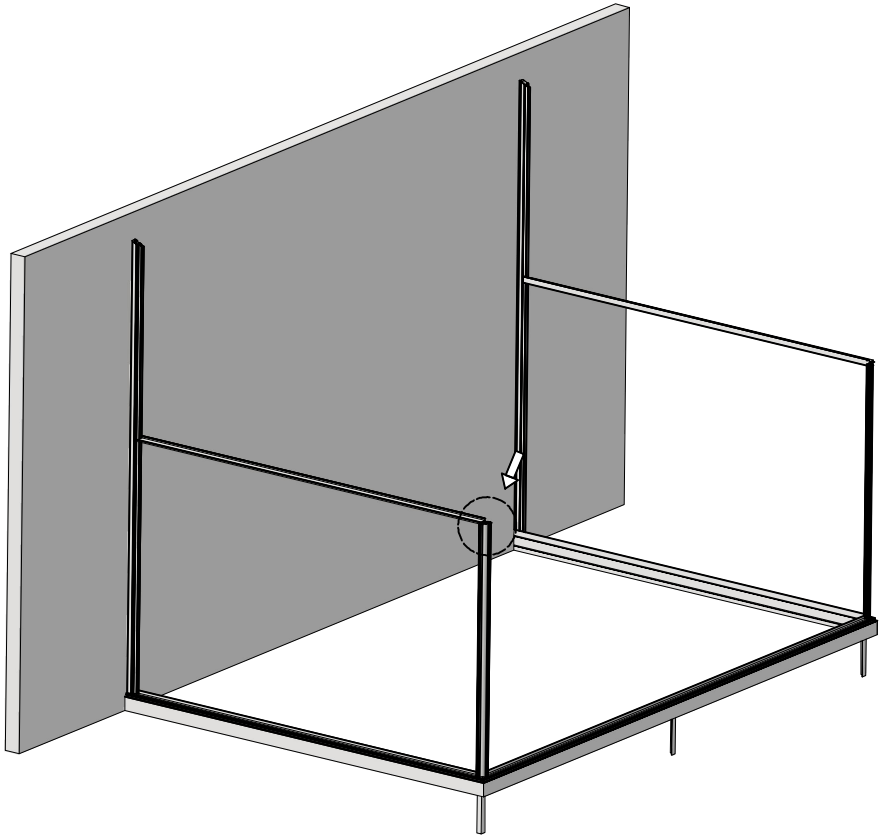
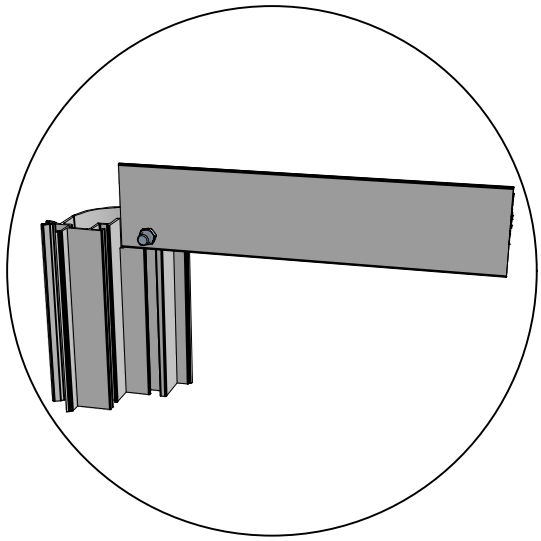
7




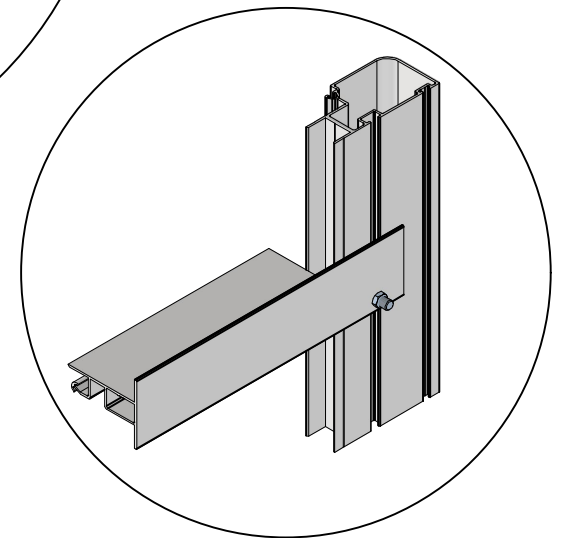
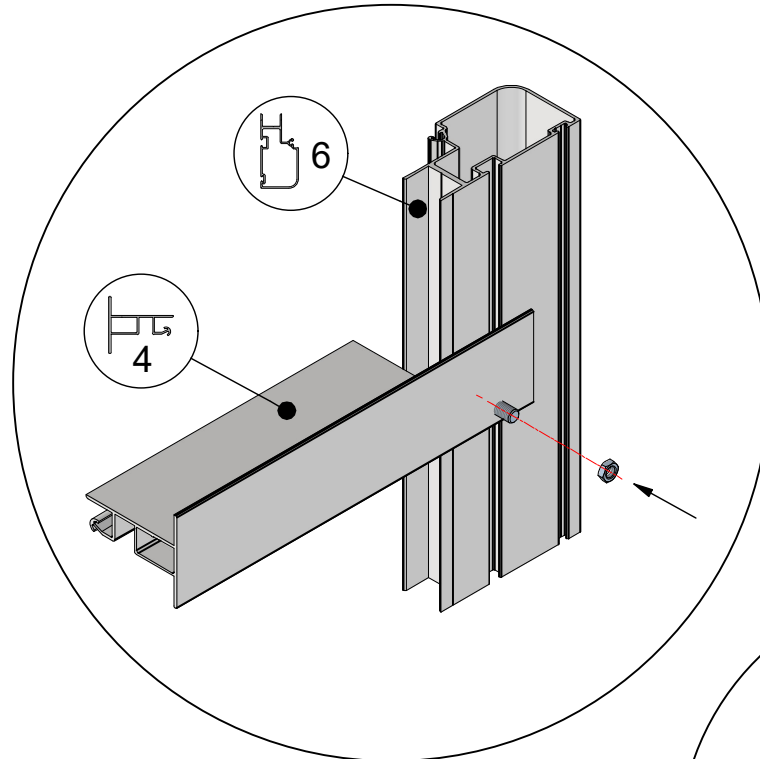
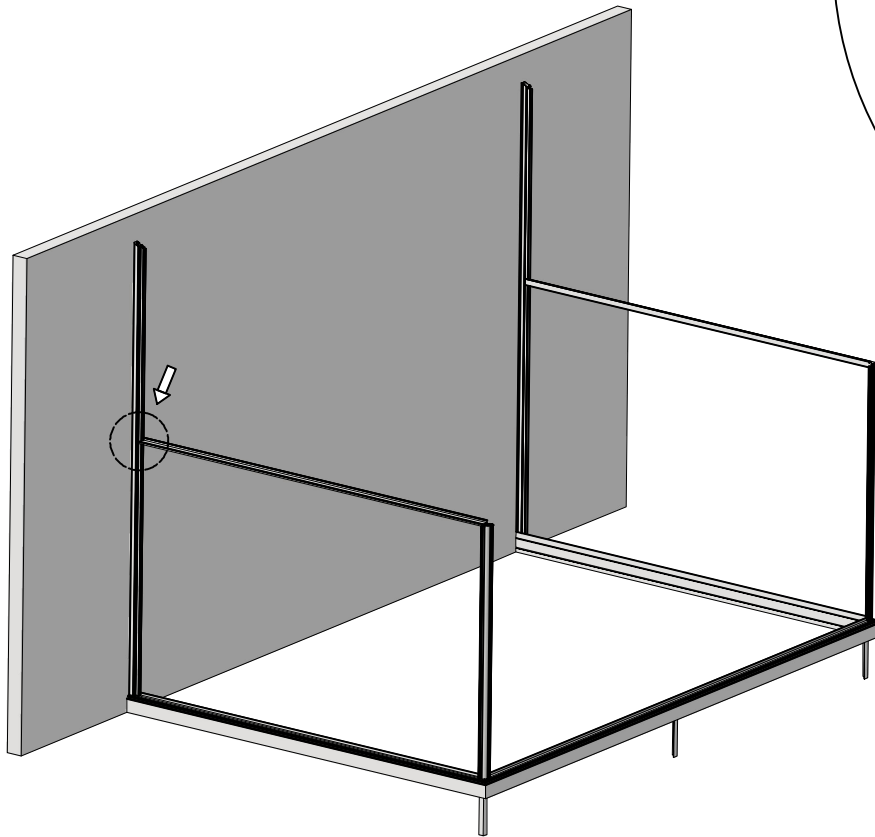
 = M6x12



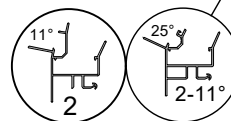
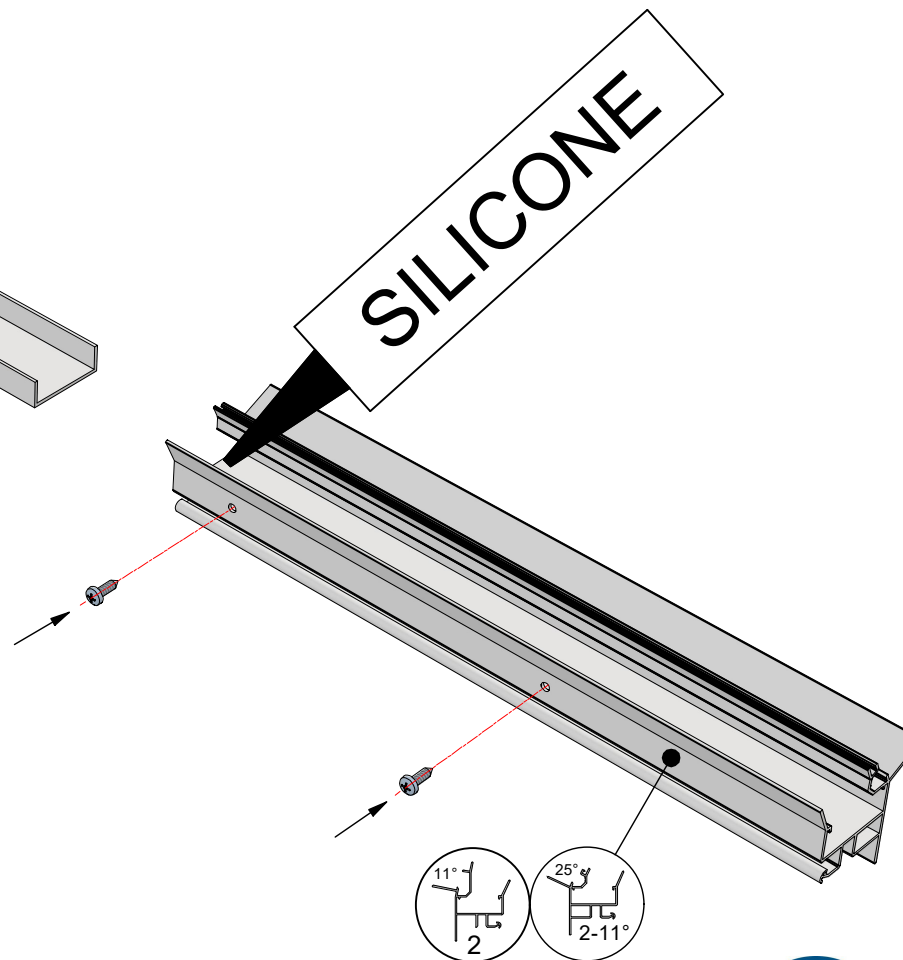
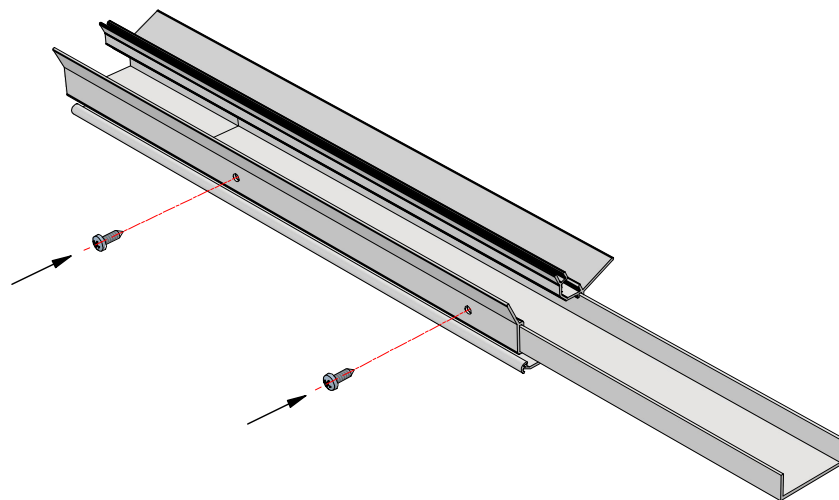
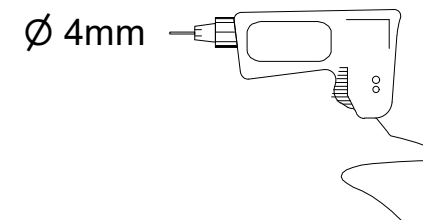
 = M6x12



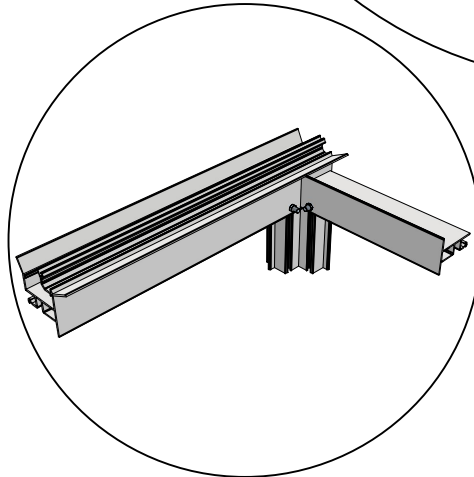
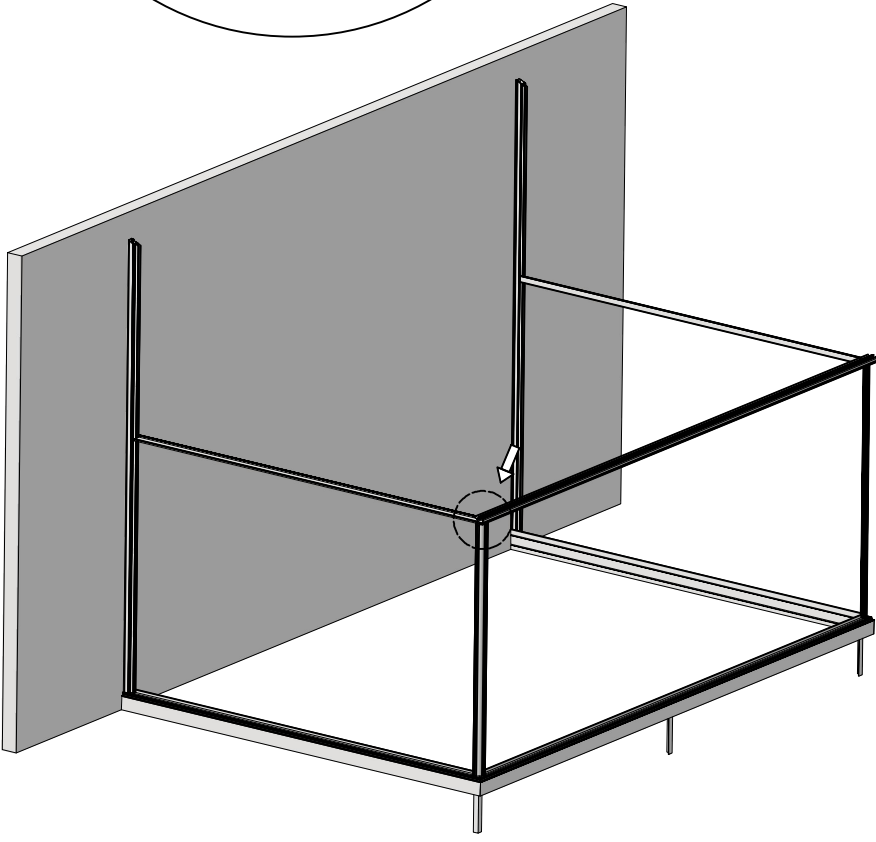
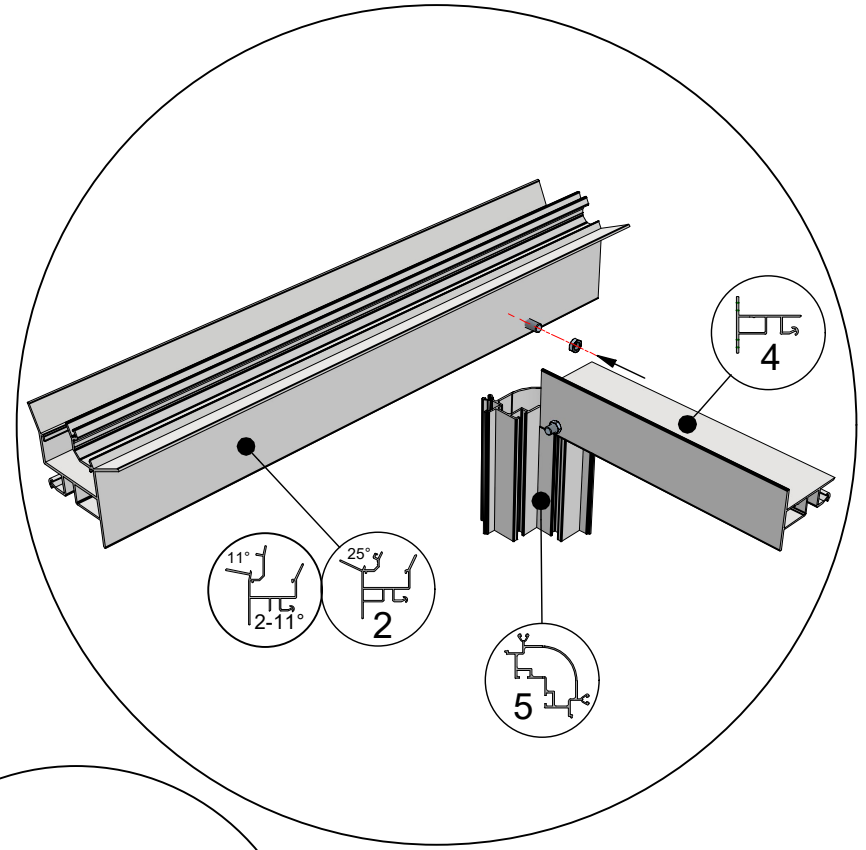
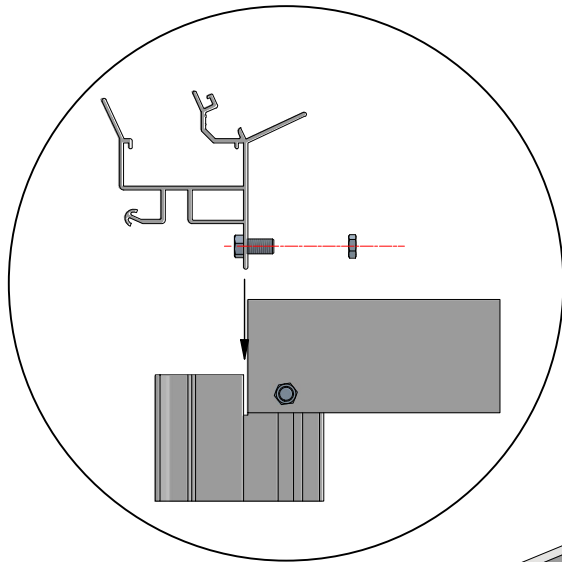
 = M6x12




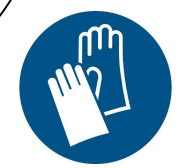
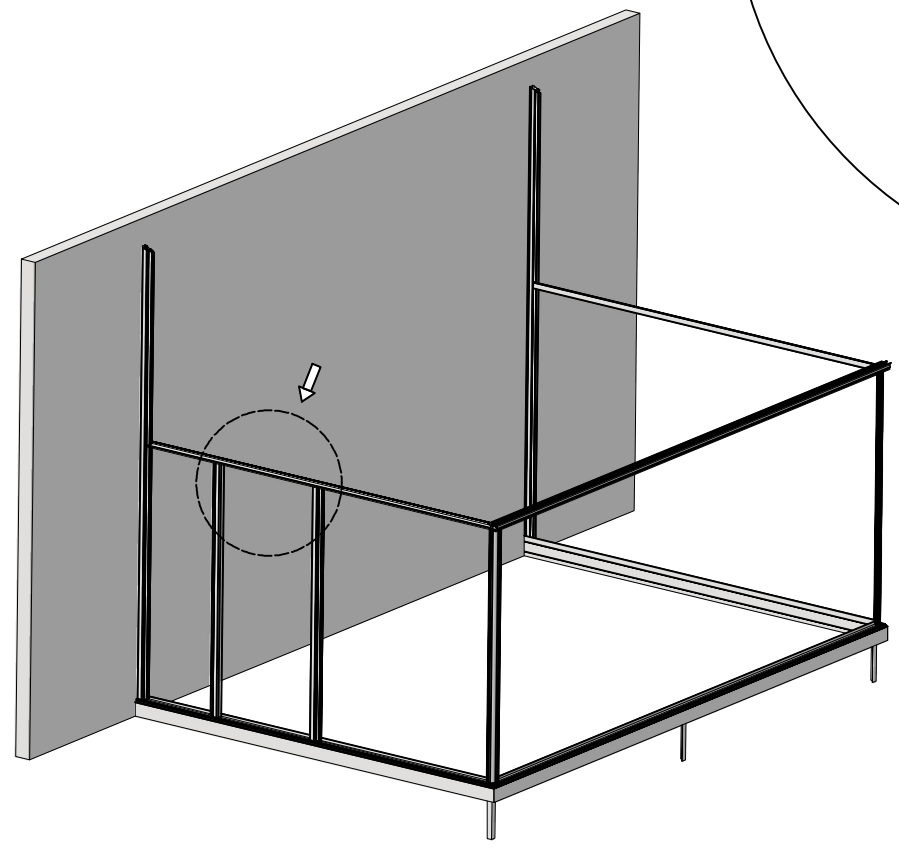
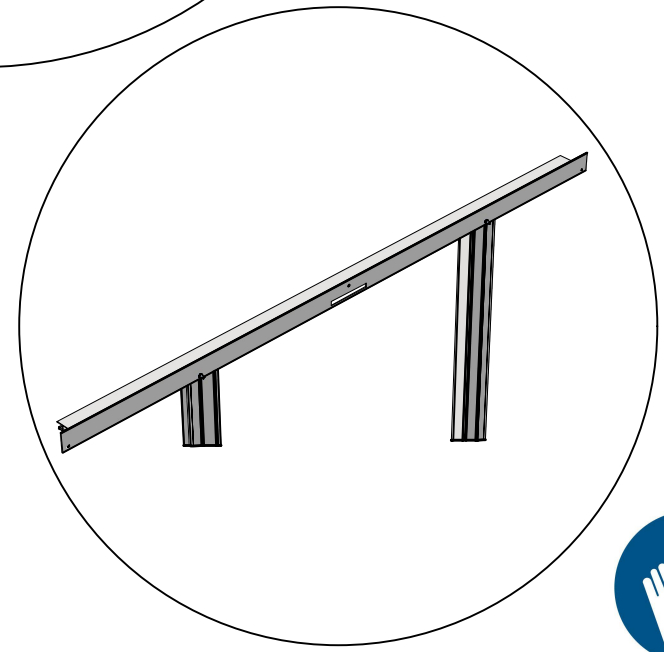
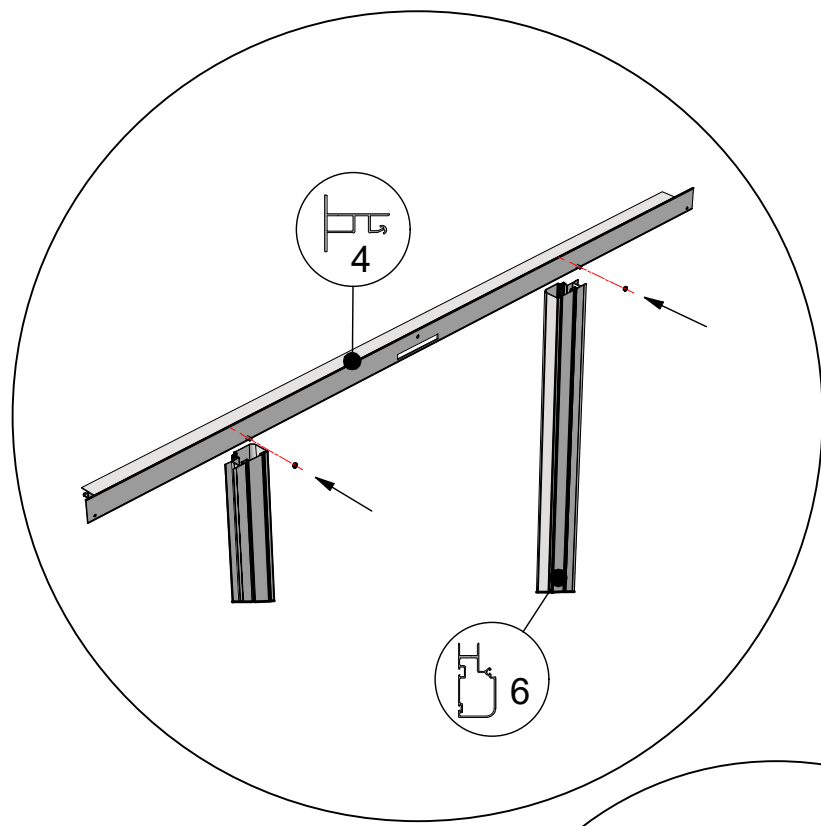
Euro-Muurserre > 6,04 + 6,77 + 7,53 + 8,30




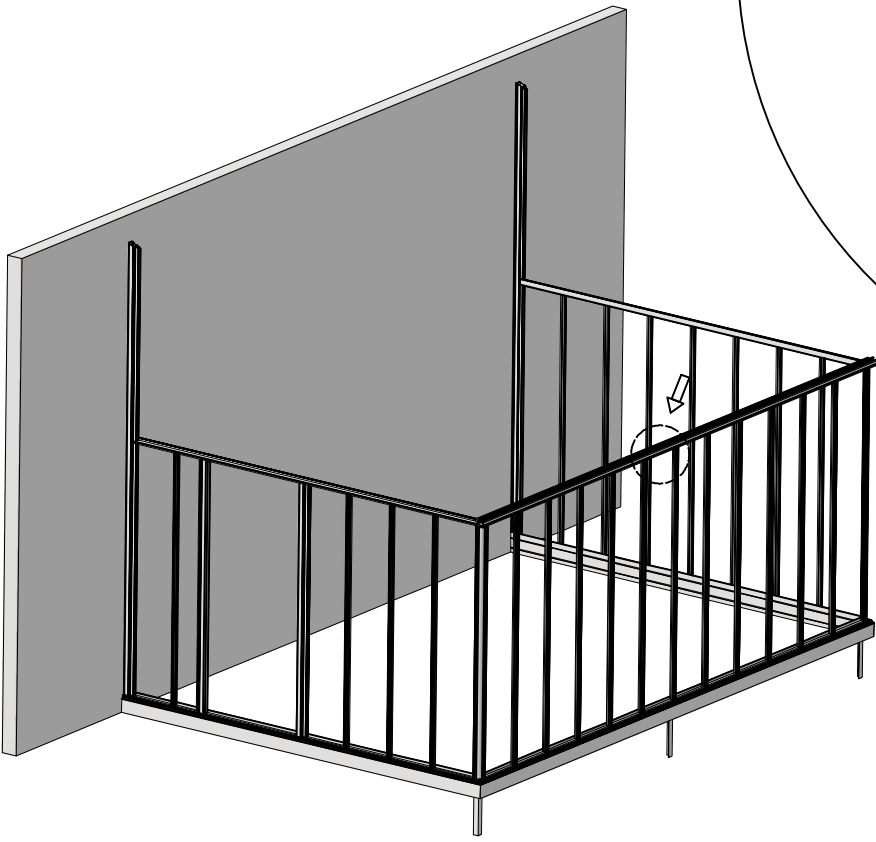
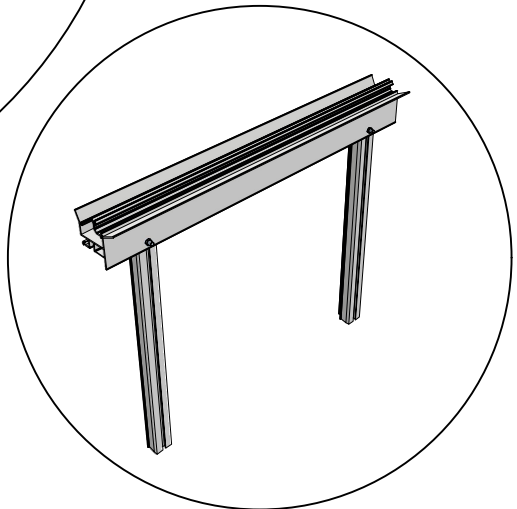
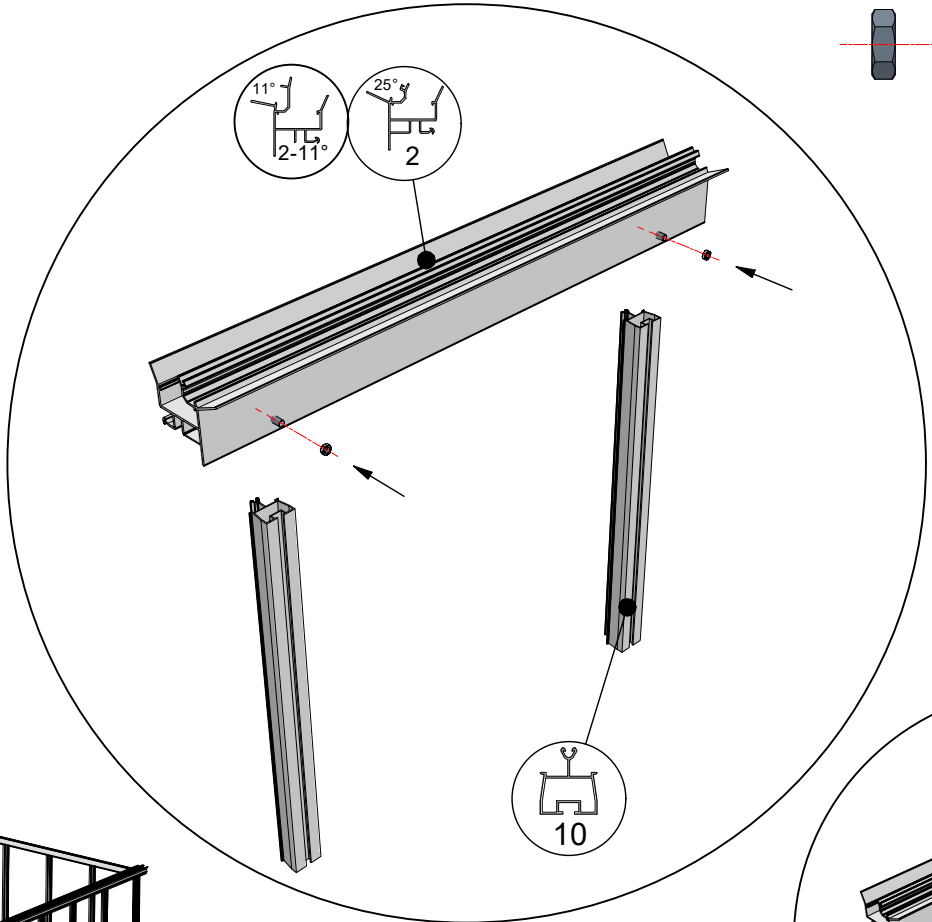
 = M6x12 (4x)

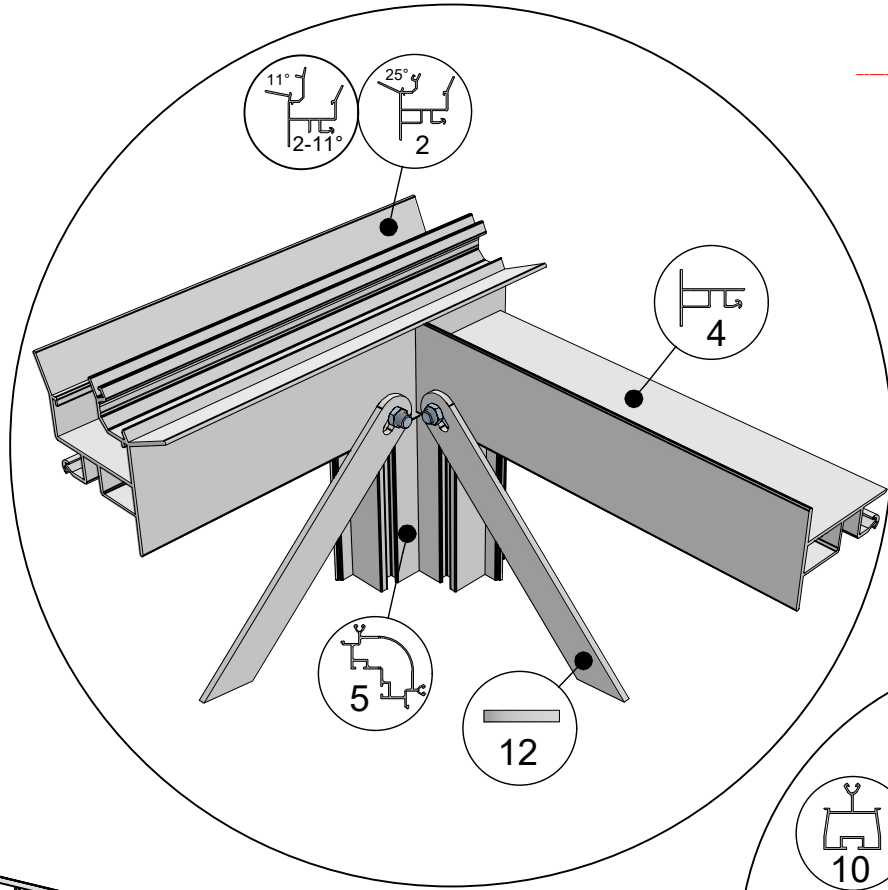
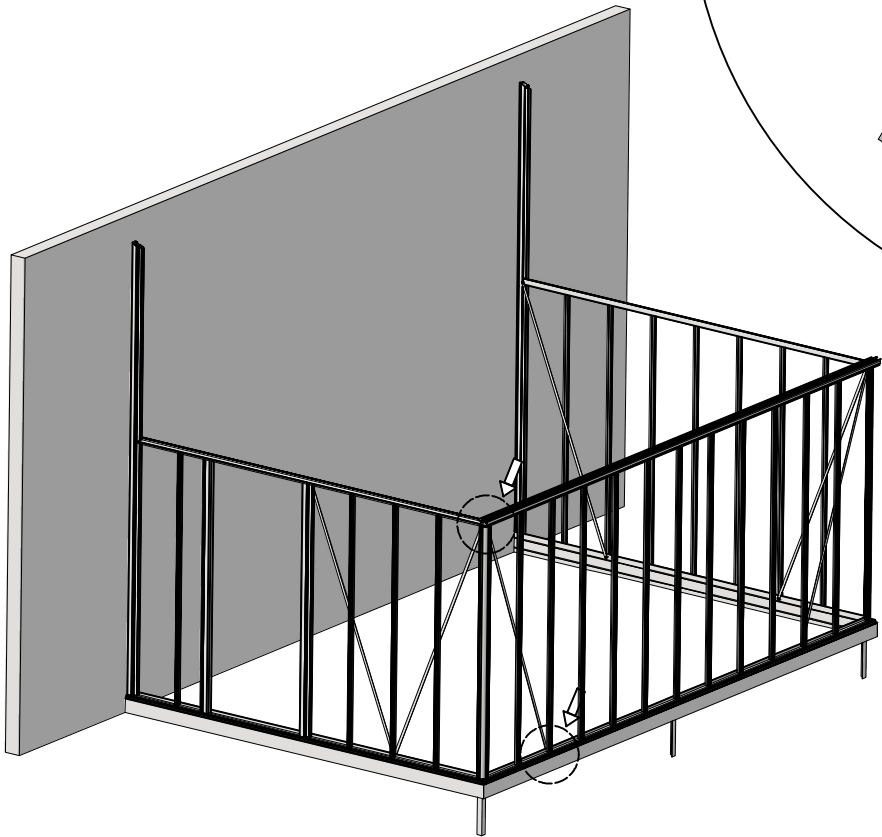



 = M6x12

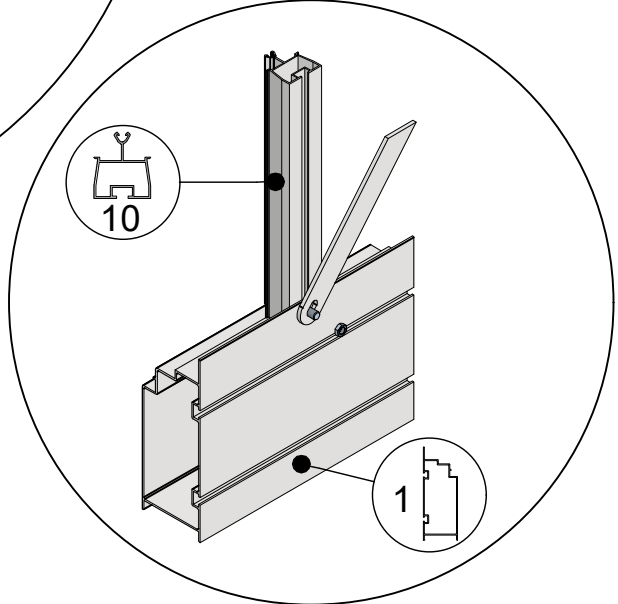



 = M6x12

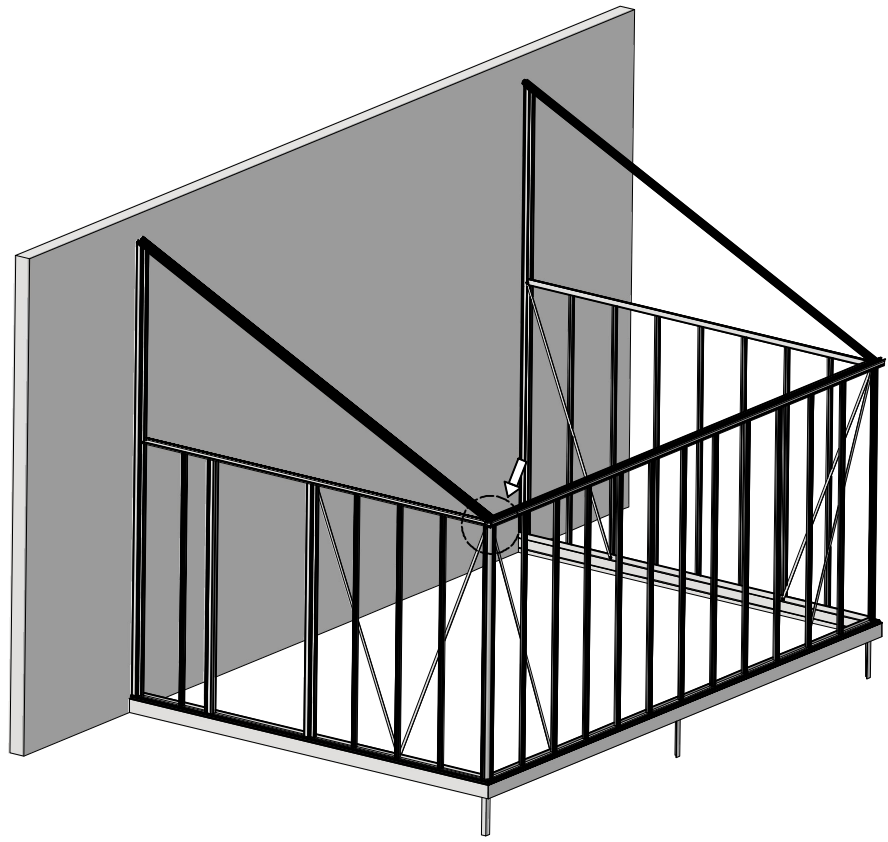
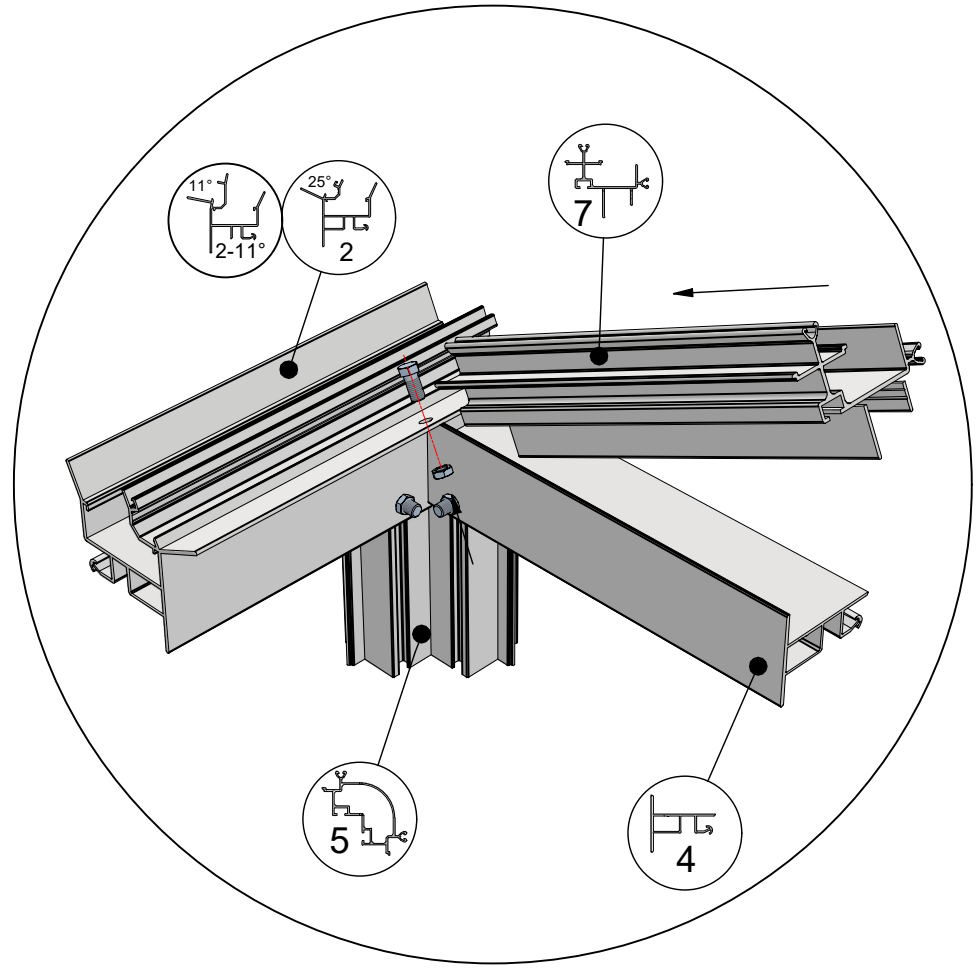
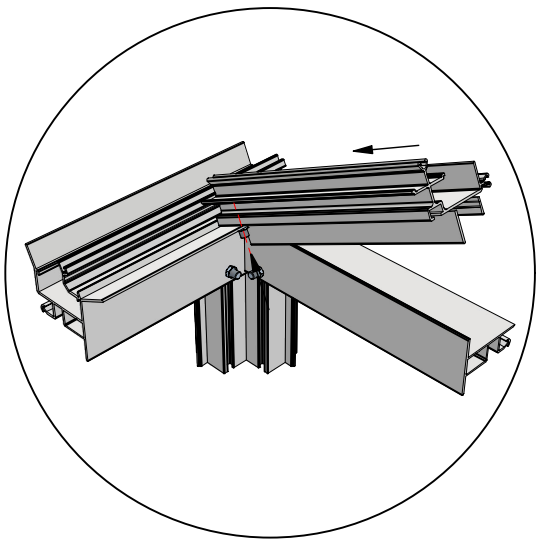





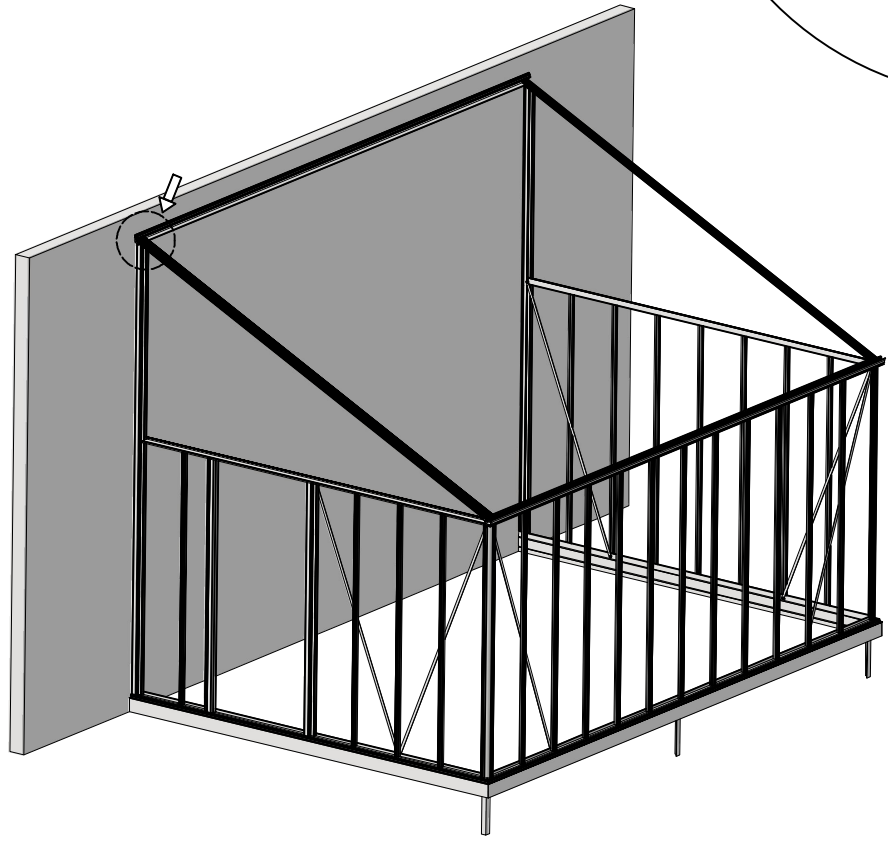
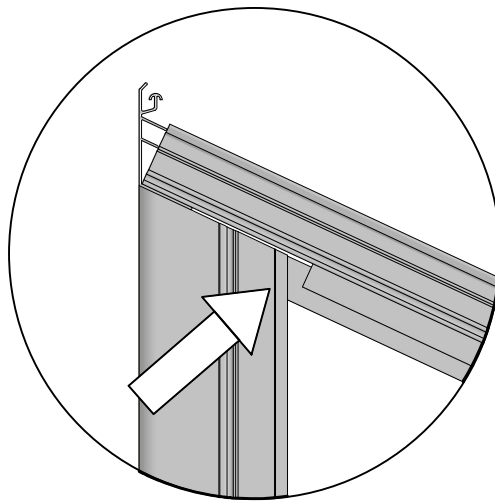
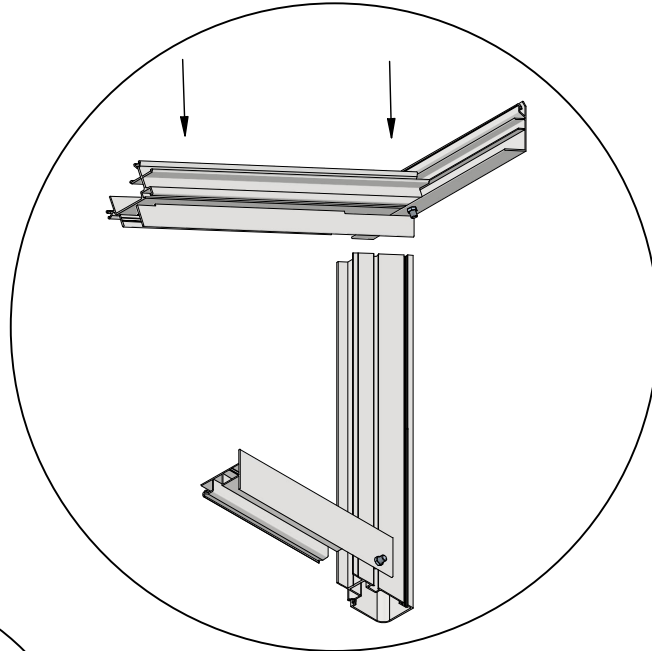
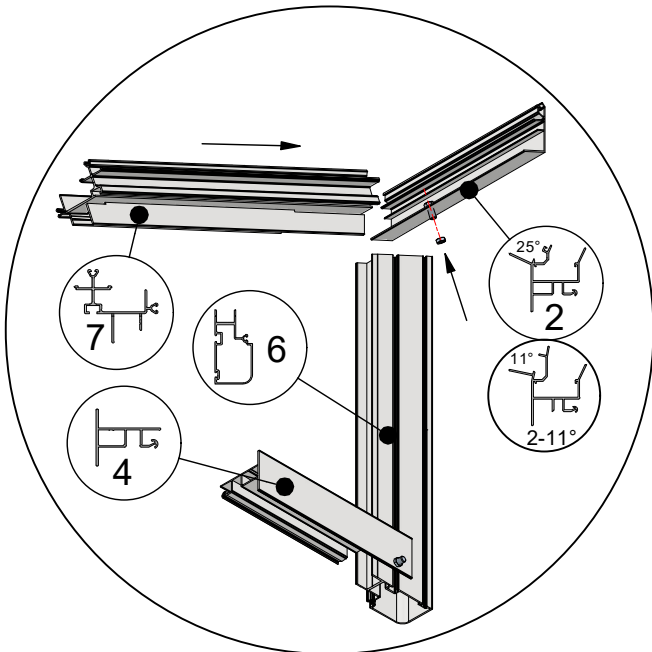
 = M6x12

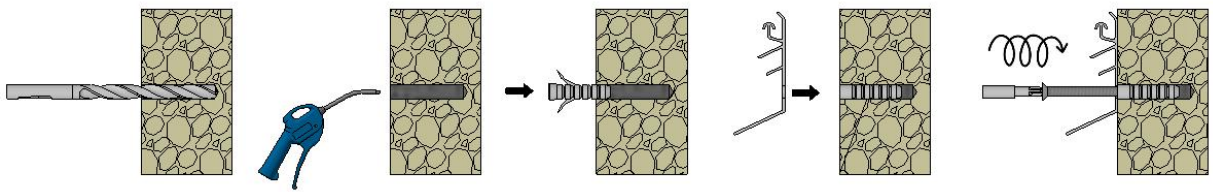


 = M6x12

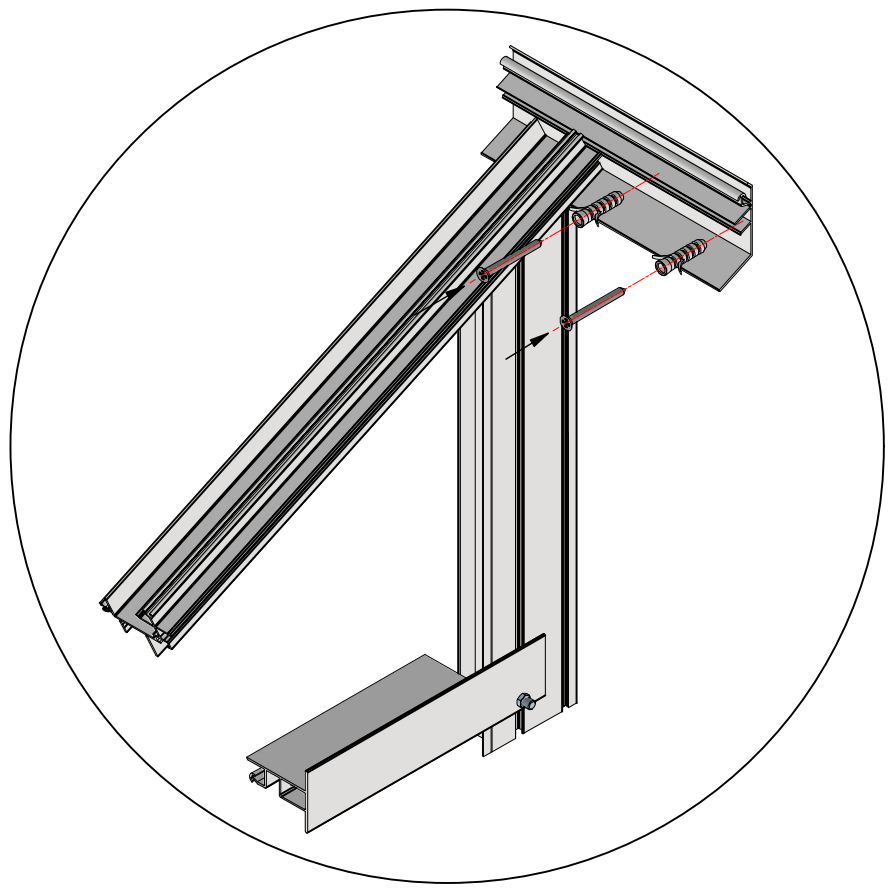
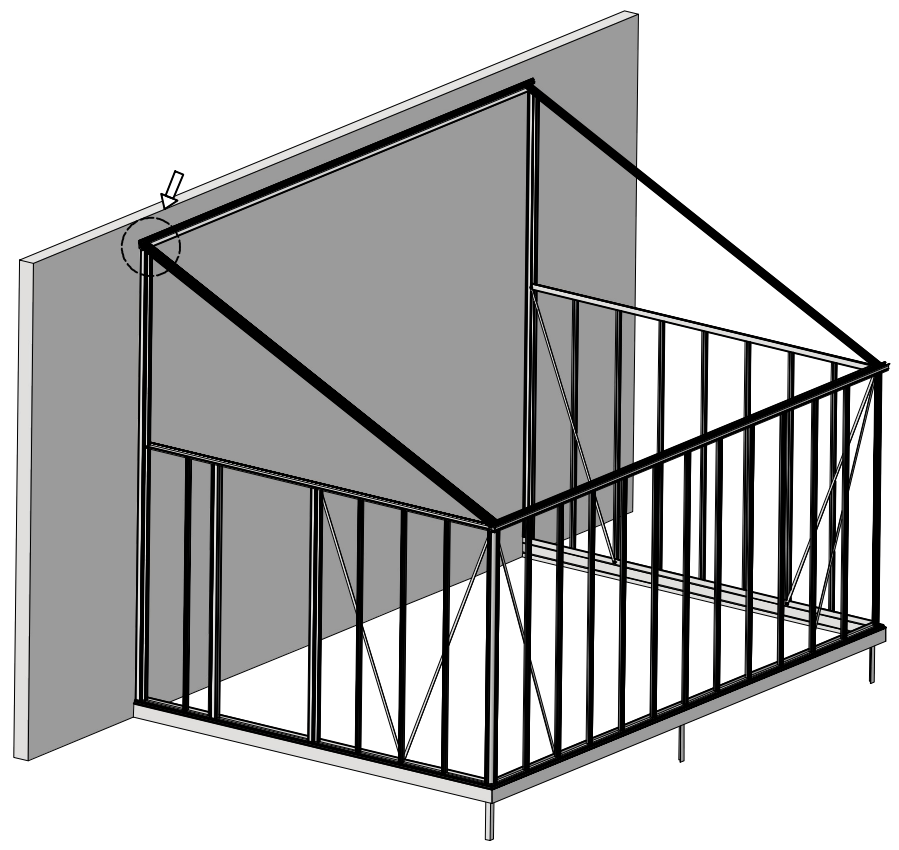
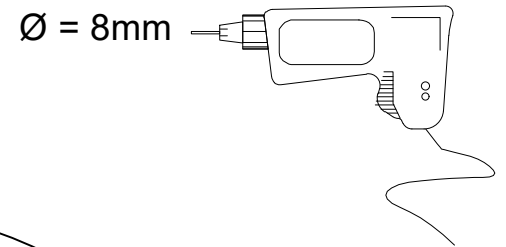


 = M6x12

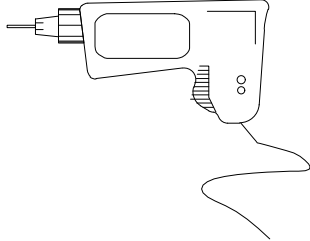


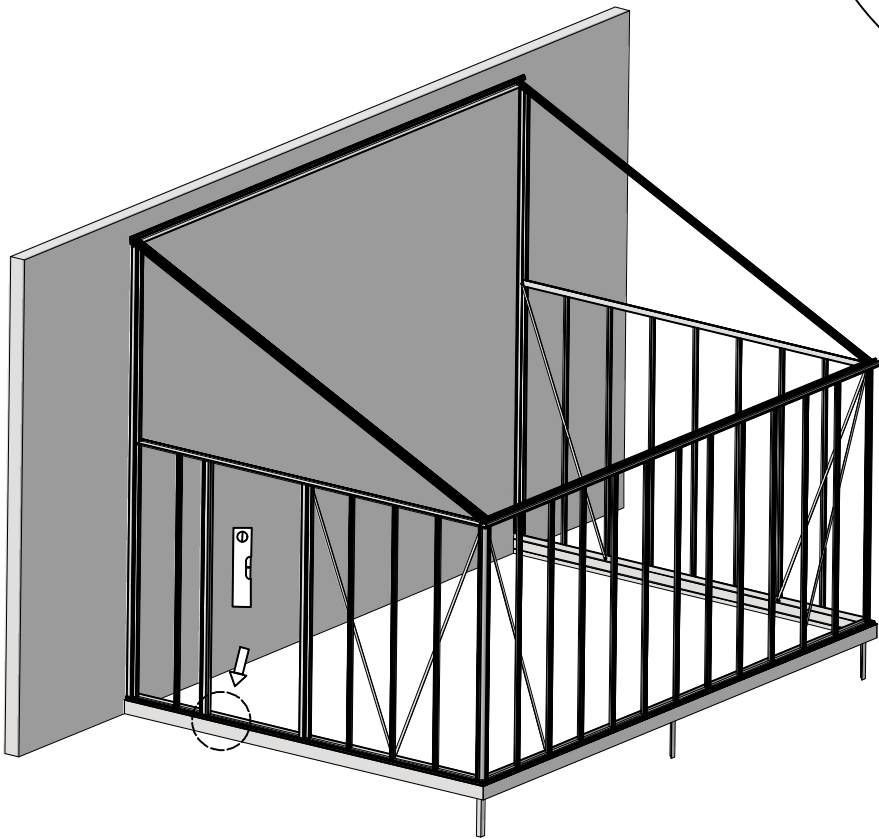
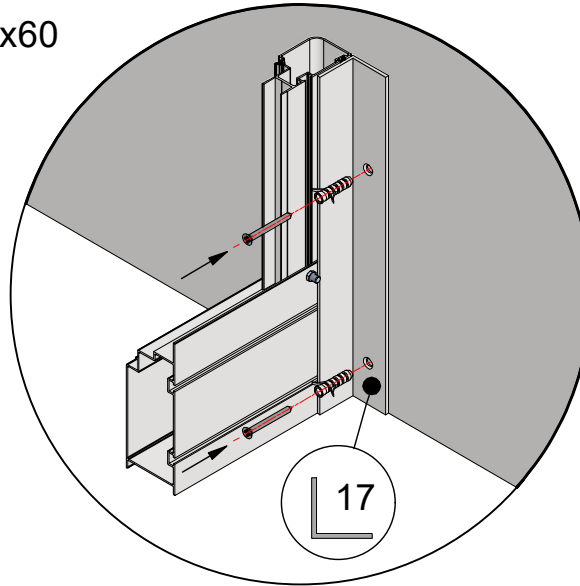


 = 8x40  = M5x60 

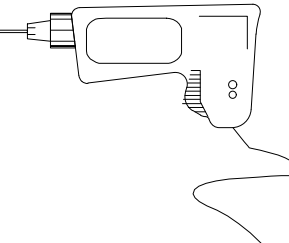


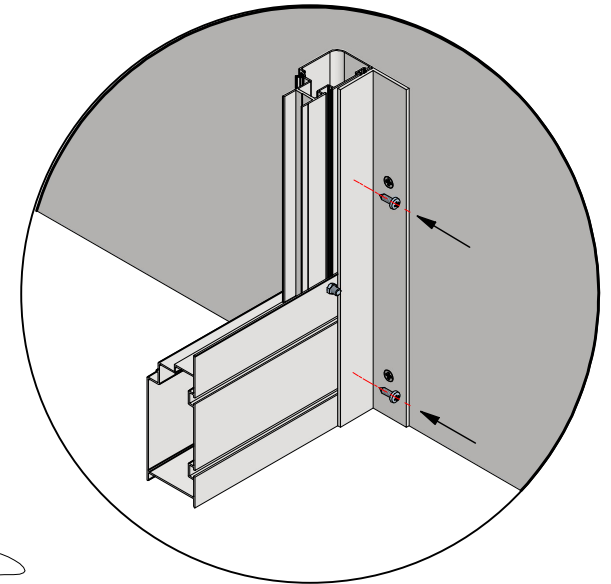
 = 8x40   = M5x60

Ø = 8mm 

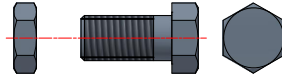


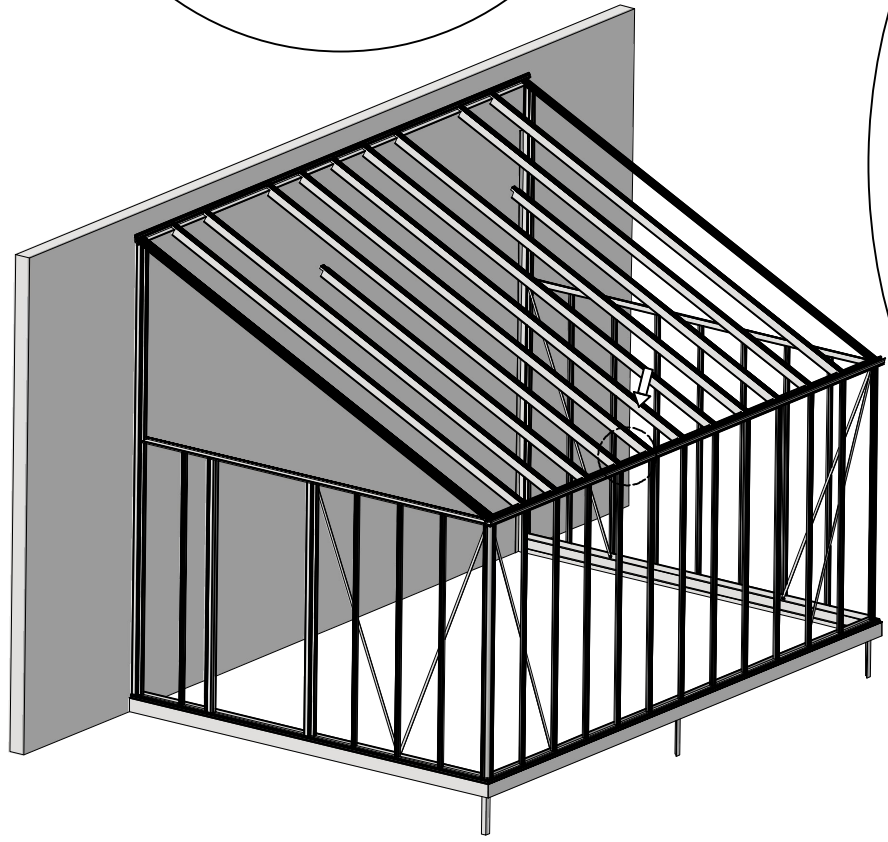
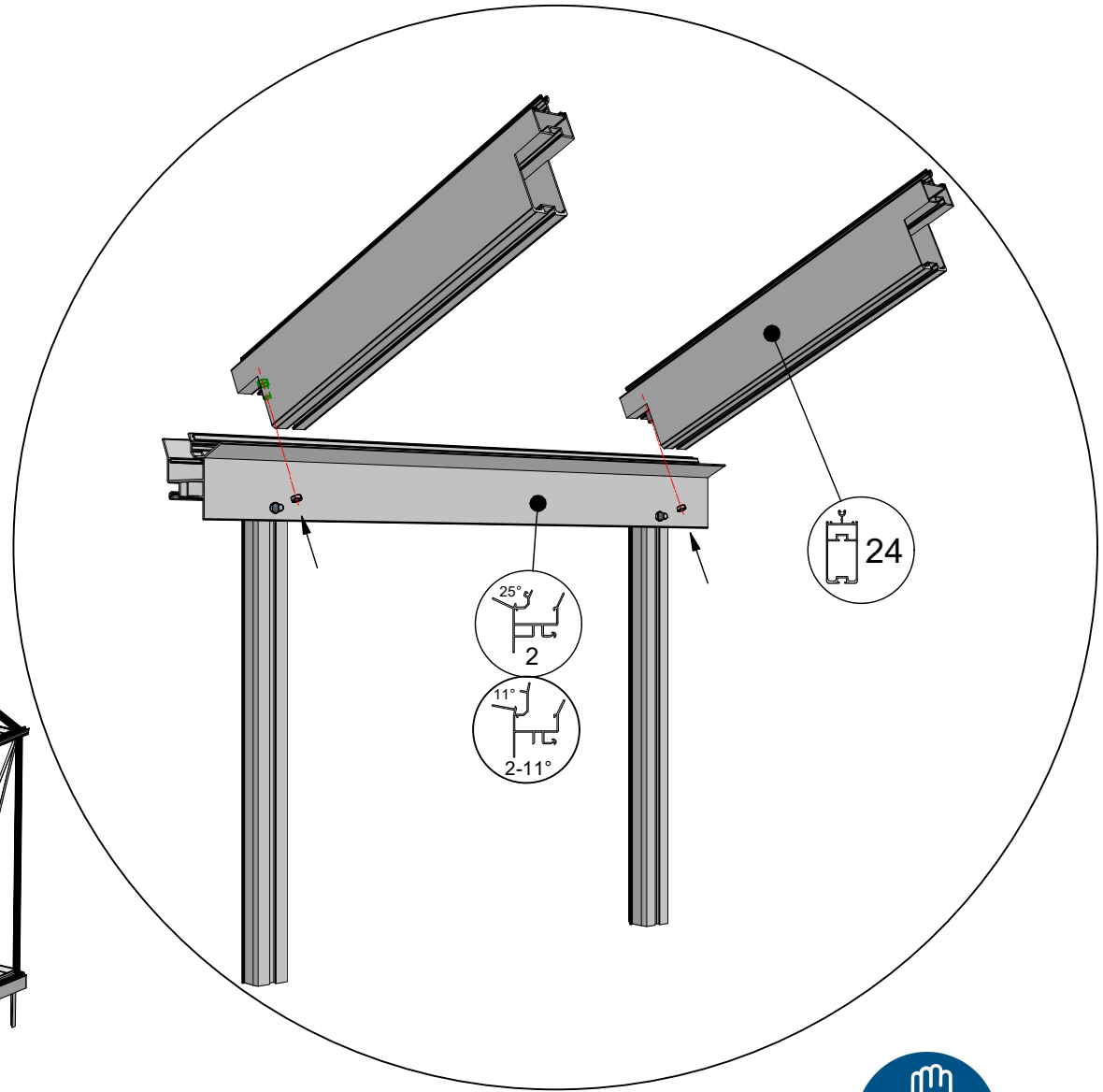
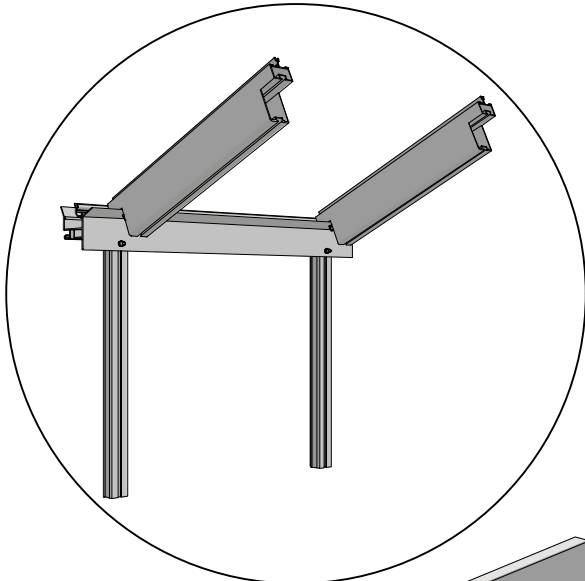
  = 4,8x16

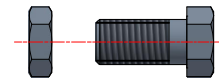
Ø = 4mm 

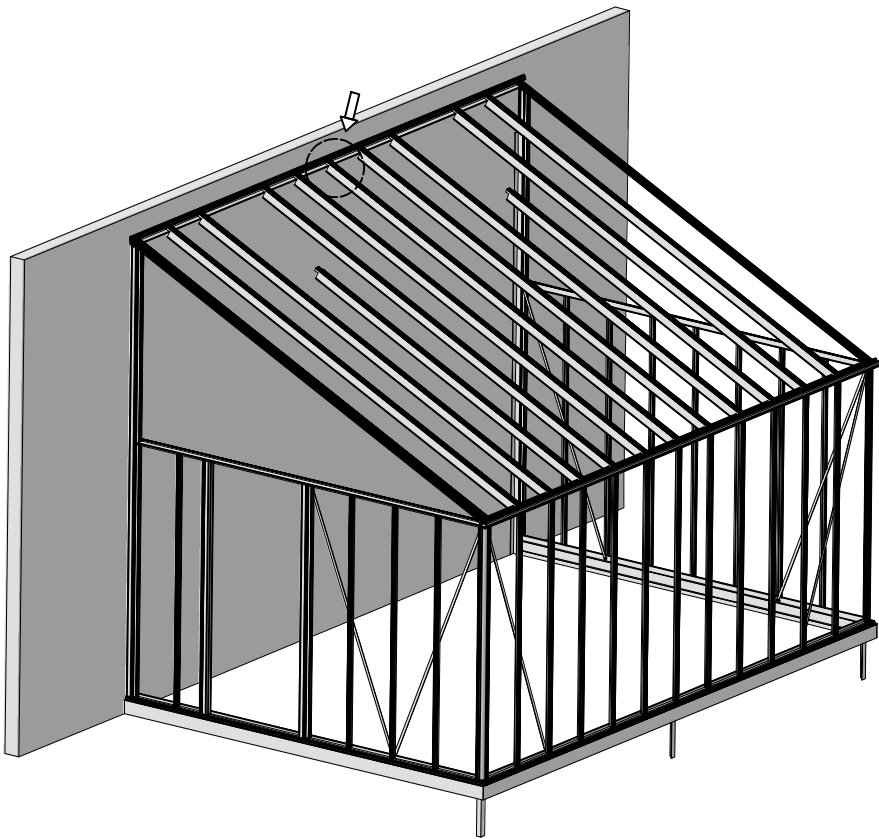
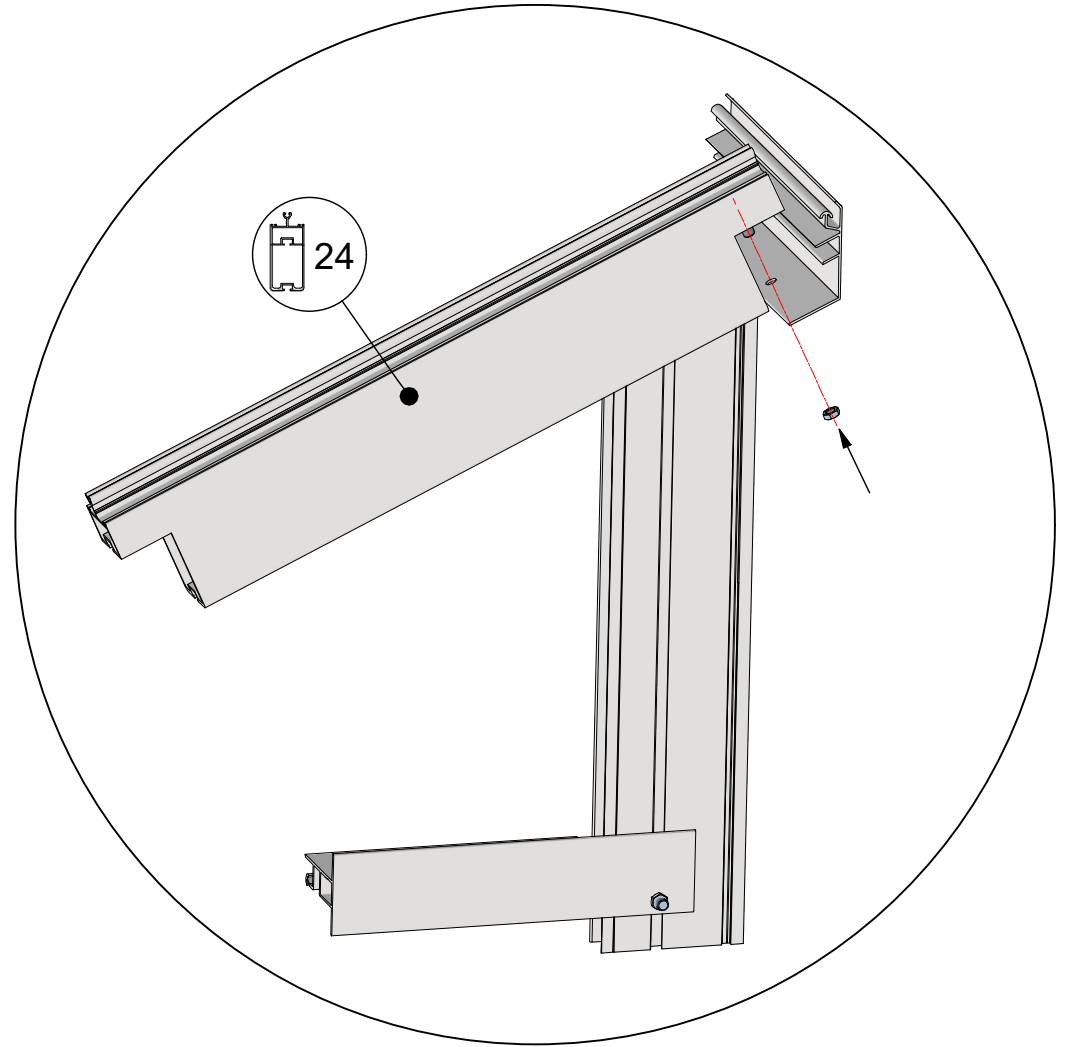
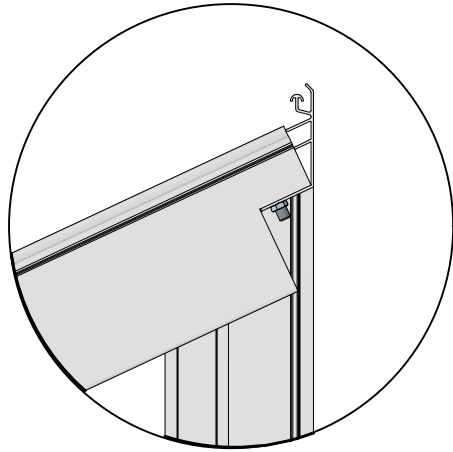


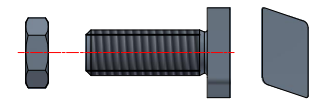
20

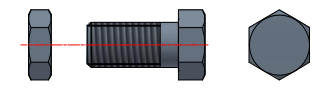
 = M6x12

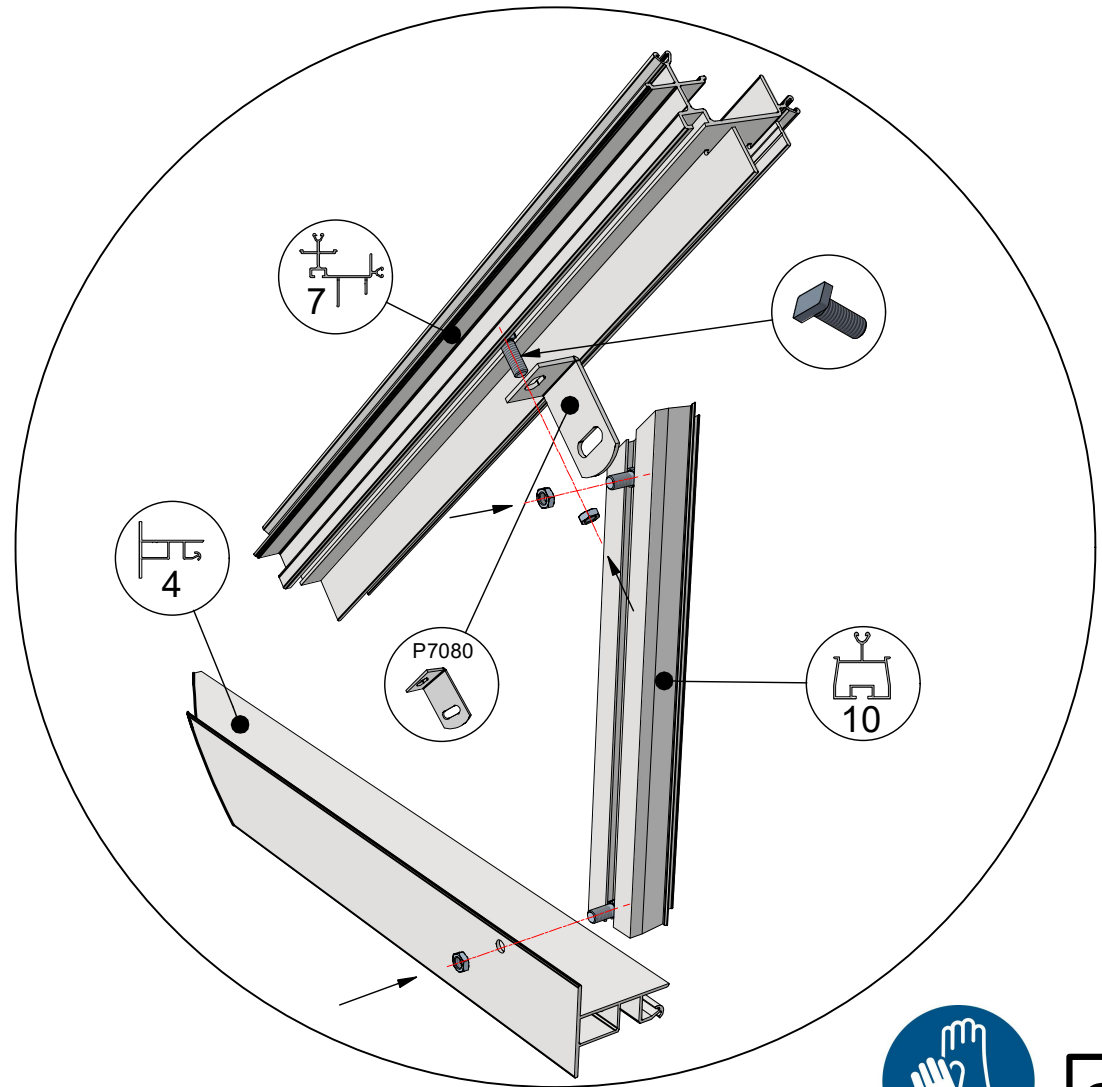
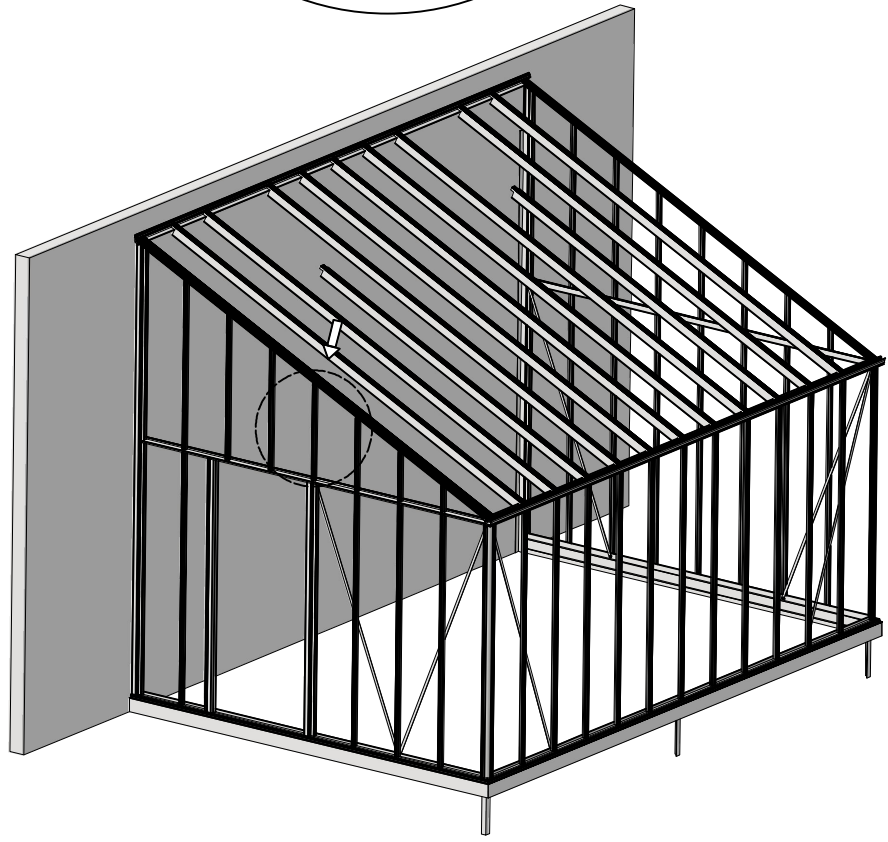
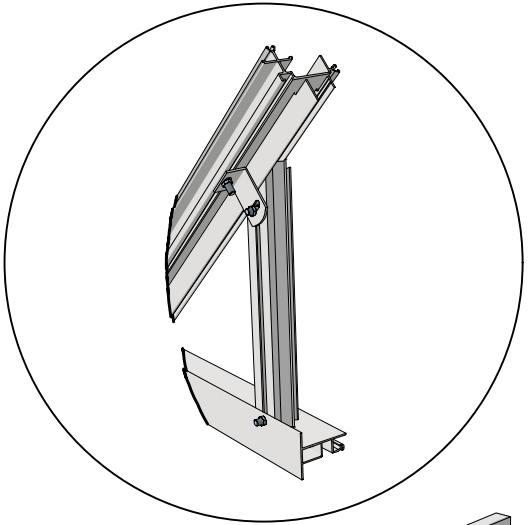


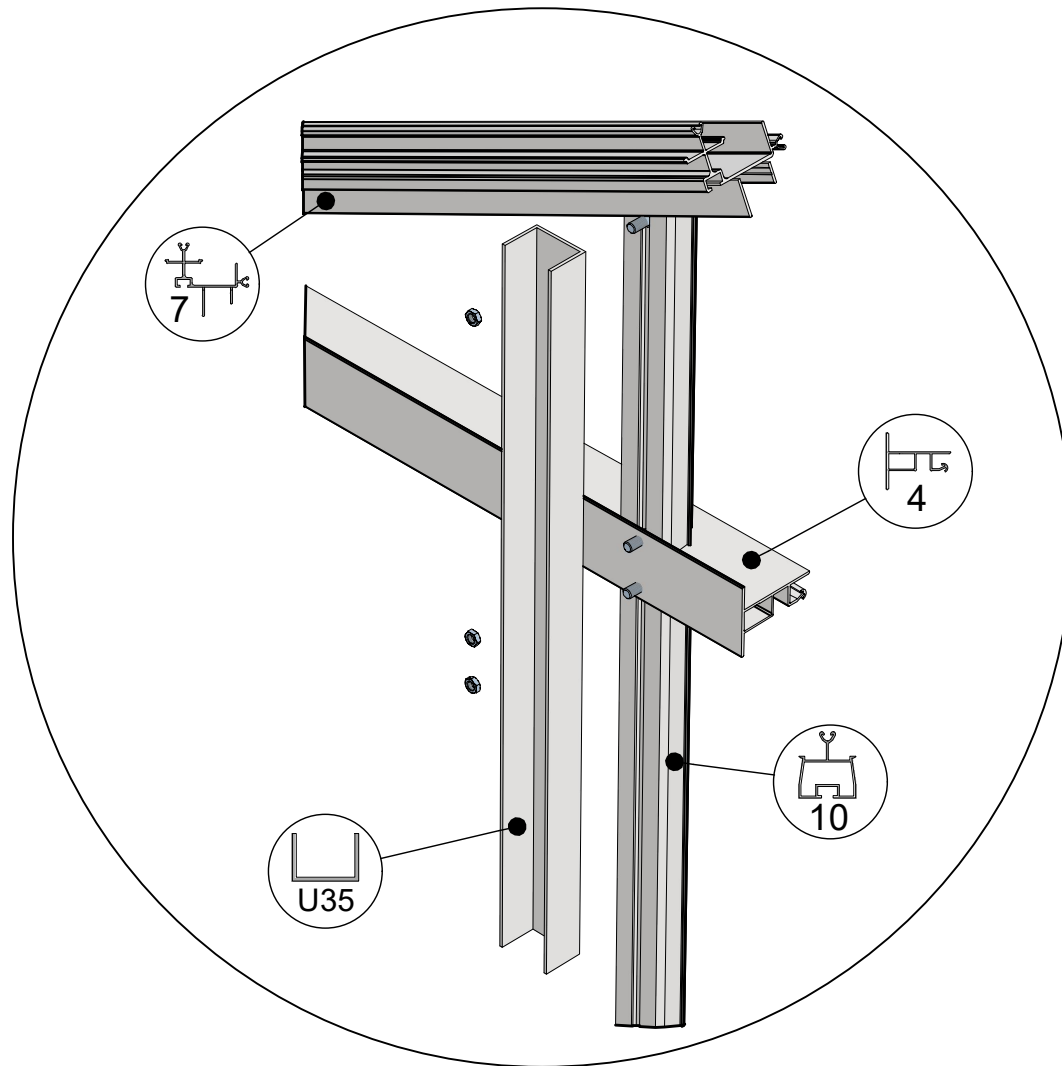
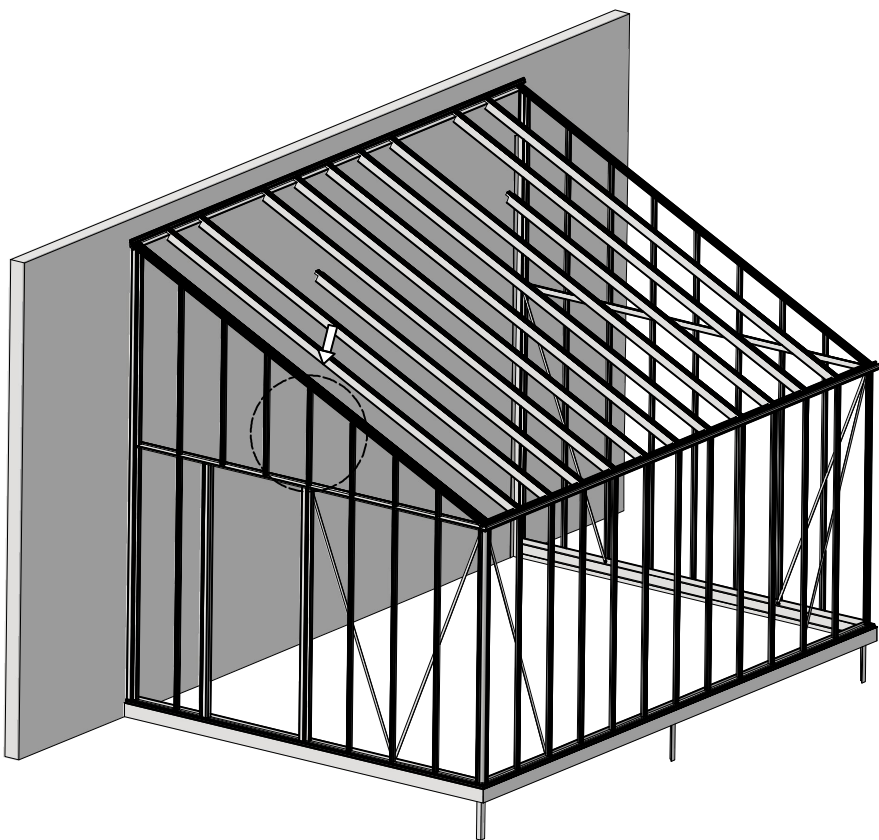
 = M6x12

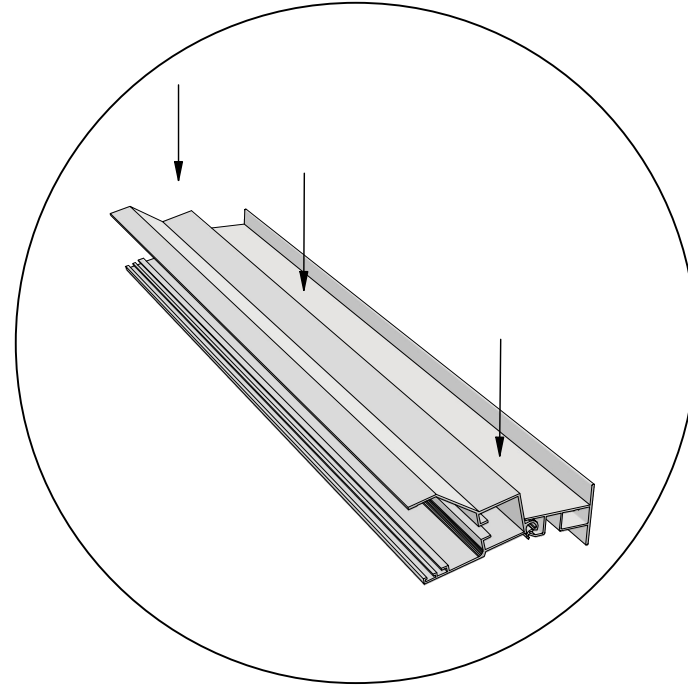
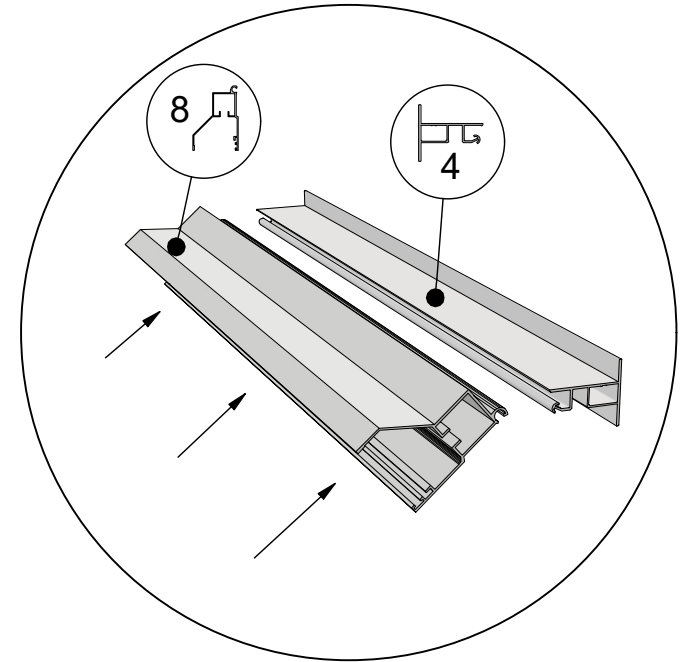
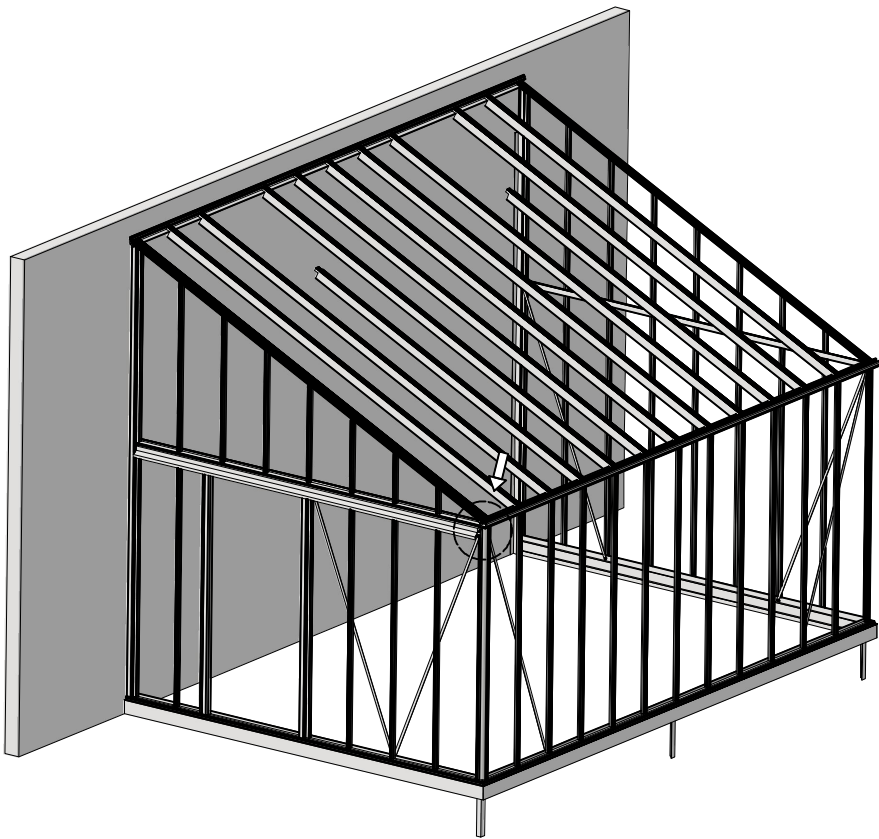


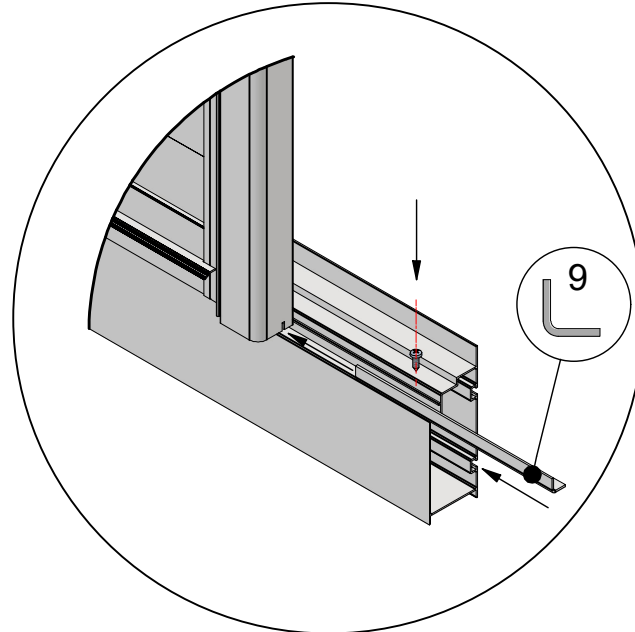
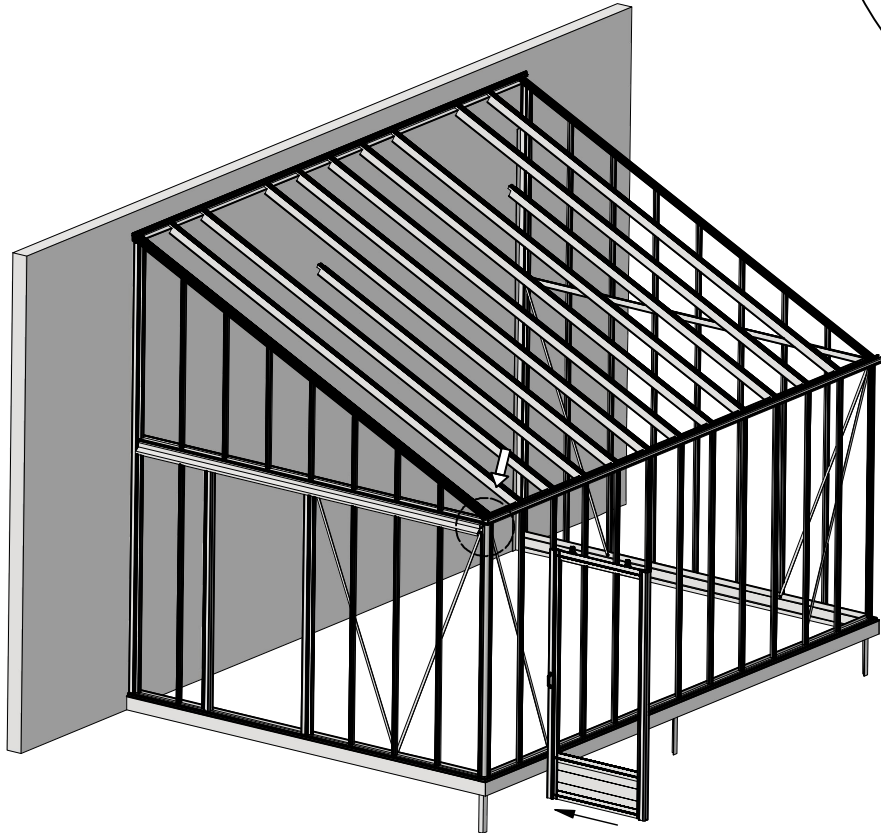
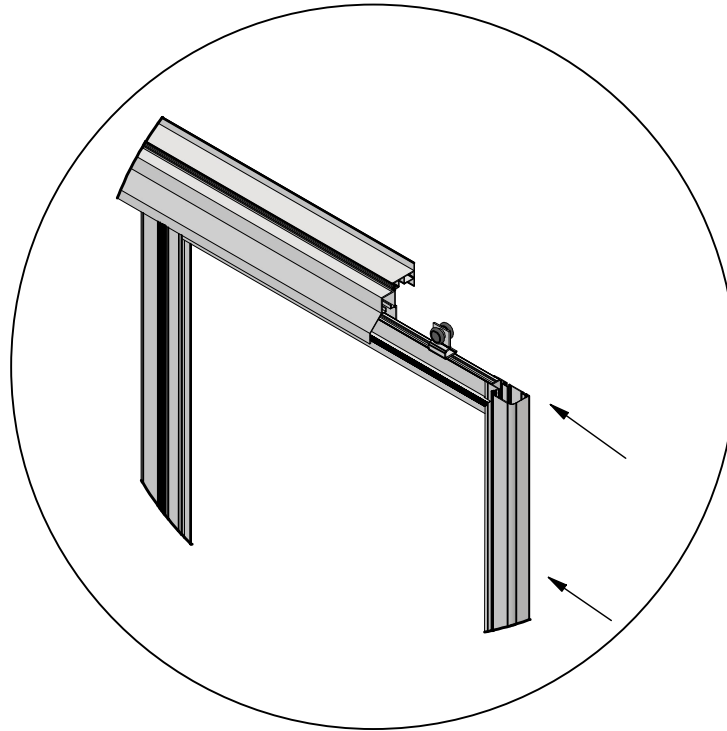
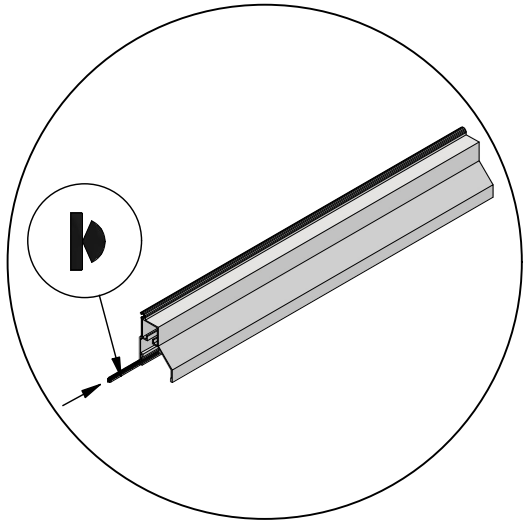
 = M6x16

 = M6x12

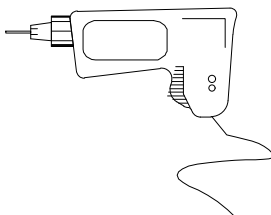








  = 4,8x16

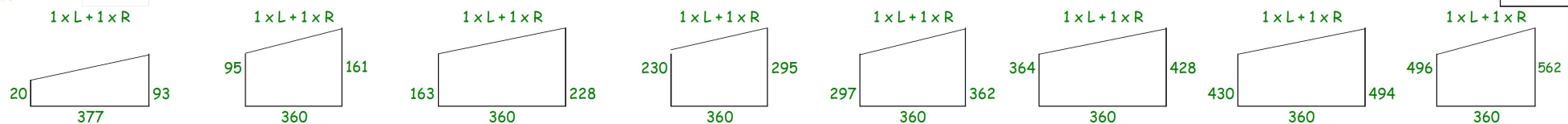
$\varnothing = 4\text{mm}$ 



Glass Dimensions Nv Euro-serre Muurserre 3,07m 11° GlassH: 1650

| Glass Size 730mm | Sides | | | Size Lenght x Wide | | | Roof | Size Lenght x Wide | | | m ² | m ² |
|-------------------------|------------|------------|------------|--------------------|--|--|------------|--------------------|-----------|--|----------------|----------------|
| | 1650 x 360 | 1650 x 205 | 1250 x 730 | | | | 3073 x 360 | 2233 x 360 | 825 x 730 | | | |
| Muurserre 3,07m x 3,09m | 21 | 1 | 1 | | | | 6 | 2 | 1 | | 13,7 | 8,8 |
| Muurserre 3,07m x 3,80m | 23 | 1 | 1 | | | | 6 | 4 | 2 | | 14,9 | 11,1 |
| Muurserre 3,07m x 4,57m | 25 | 1 | 1 | | | | 8 | 4 | 2 | | 16,1 | 13,3 |
| Muurserre 3,07m x 5,30m | 27 | 1 | 1 | | | | 8 | 6 | 3 | | 17,3 | 15,5 |
| Muurserre 3,07m x 6,04m | 29 | 1 | 1 | | | | 10 | 6 | 3 | | 18,5 | 17,7 |
| Muurserre 3,07m x 6,77m | 31 | 1 | 1 | | | | 12 | 6 | 3 | | 19,7 | 19,9 |
| Muurserre 3,07m x 7,53m | 33 | 1 | 1 | | | | 12 | 8 | 4 | | 20,9 | 22,1 |
| Muurserre 3,07m x 8,30m | 35 | 1 | 1 | | | | 14 | 8 | 4 | | 22,0 | 24,3 |

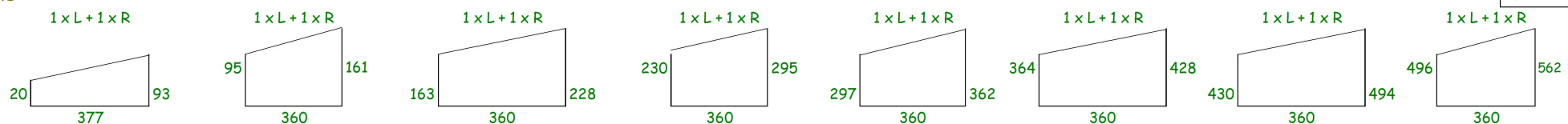
Points 1,89 m²



Glass Dimensions Nv Euro-serre Muurserre 3,07m 11° GlassH: 1850

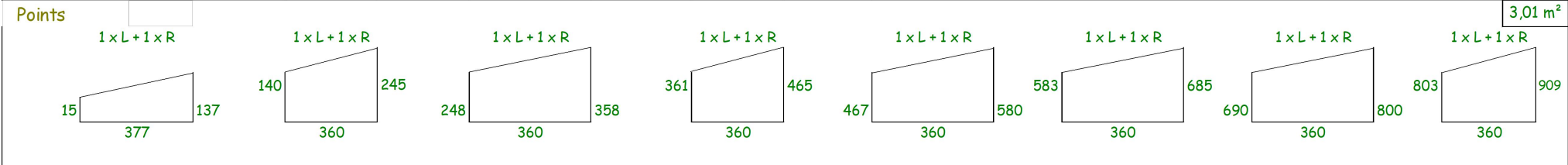
| Glass Size 730mm | Sides | | | Size Lenght x Wide | | | Roof | Size Lenght x Wide | | | m ² | m ² |
|-------------------------|------------|------------|------------|--------------------|--|--|------------|--------------------|-----------|--|----------------|----------------|
| | 1850 x 360 | 1850 x 205 | 1450 x 730 | | | | 3073 x 360 | 2233 x 360 | 825 x 730 | | | |
| Muurserre 3,07m x 3,09m | 21 | 1 | 1 | | | | 6 | 2 | 1 | | 15,4 | 8,8 |
| Muurserre 3,07m x 3,80m | 23 | 1 | 1 | | | | 6 | 4 | 2 | | 16,8 | 11,1 |
| Muurserre 3,07m x 4,57m | 25 | 1 | 1 | | | | 8 | 4 | 2 | | 18,1 | 13,3 |
| Muurserre 3,07m x 5,30m | 27 | 1 | 1 | | | | 8 | 6 | 3 | | 19,4 | 15,5 |
| Muurserre 3,07m x 6,04m | 29 | 1 | 1 | | | | 10 | 6 | 3 | | 20,8 | 17,7 |
| Muurserre 3,07m x 6,77m | 31 | 1 | 1 | | | | 12 | 6 | 3 | | 22,1 | 19,9 |
| Muurserre 3,07m x 7,53m | 33 | 1 | 1 | | | | 12 | 8 | 4 | | 23,4 | 22,1 |
| Muurserre 3,07m x 8,30m | 35 | 1 | 1 | | | | 14 | 8 | 4 | | 24,7 | 24,3 |

Points 1,89 m²

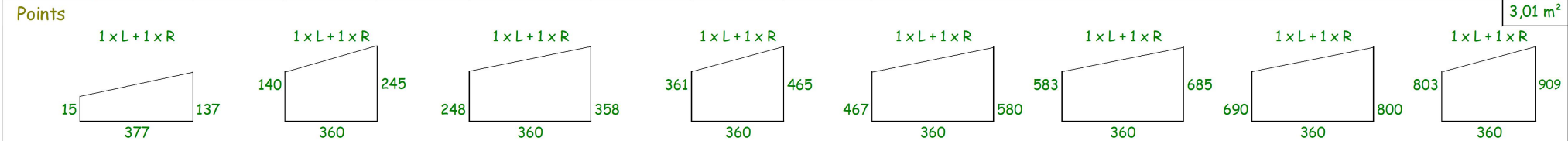


Opgemaakt op 13-12-2017

| Glass Dimensions Nv Euro-serre | | | | | | | | | | Muurserre | | | 3,07m | | | 25° | | GlassH: 1650 | |
|--------------------------------|------------|------------|------------|--------------------|--|------------|------------|--------------------|--|-----------|---------|------|-------|--|--|-----|--|--------------|--|
| Glass Size 730mm | Sides | | | Size Lenght x Wide | | Roof | | Size Lenght x Wide | | | m² | m² | | | | | | | |
| | 1650 x 360 | 1650 x 205 | 1250 x 730 | | | 3148 x 360 | 2308 x 360 | 825 x 730 | | | | | | | | | | | |
| Muurserre 3,07m x 3,09m | 21 | 1 | 1 | | | 6 | 2 | 1 | | | 13,7 | 9,1 | | | | | | | |
| Muurserre 3,07m x 3,80m | 23 | 1 | 1 | | | 6 | 4 | 2 | | | 14,9 | 11,3 | | | | | | | |
| Muurserre 3,07m x 4,57m | 25 | 1 | 1 | | | 8 | 4 | 2 | | | 16,1 | 13,6 | | | | | | | |
| Muurserre 3,07m x 5,30m | 27 | 1 | 1 | | | 8 | 6 | 3 | | | 17,3 | 15,9 | | | | | | | |
| Muurserre 3,07m x 6,04m | 29 | 1 | 1 | | | 10 | 6 | 3 | | | 18,5 | 18,1 | | | | | | | |
| Muurserre 3,07m x 6,77m | 31 | 1 | 1 | | | 12 | 6 | 3 | | | 19,7 | 20,4 | | | | | | | |
| Muurserre 3,07m x 7,53m | 33 | 1 | 1 | | | 12 | 8 | 4 | | | 20,9 | 22,7 | | | | | | | |
| Muurserre 3,07m x 8,30m | 35 | 1 | 1 | | | 14 | 8 | 4 | | | 22,0 | 24,9 | | | | | | | |
| Points | | | | | | | | | | | 3,01 m² | | | | | | | | |

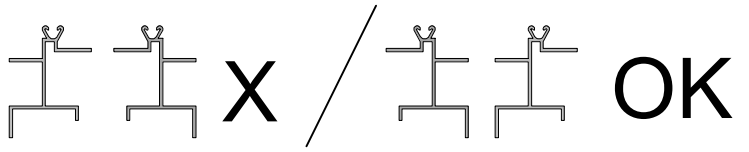
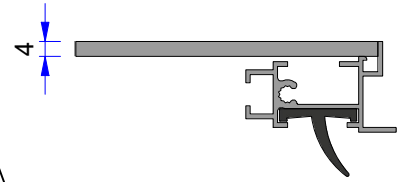
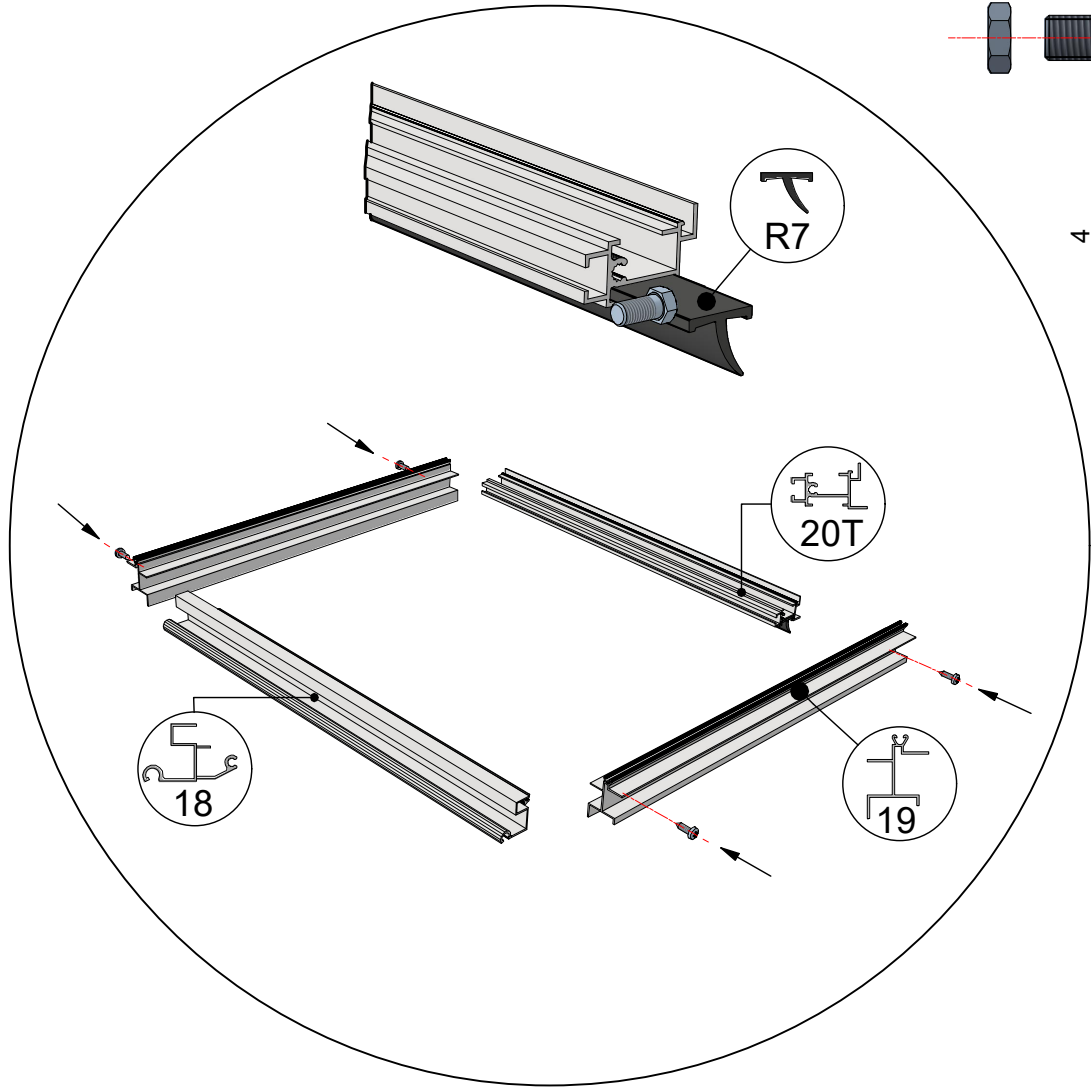
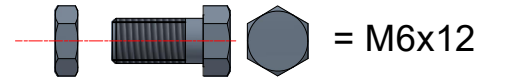
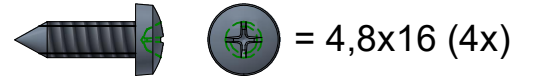
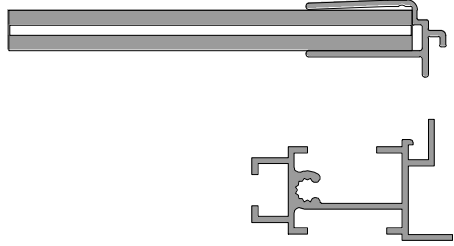


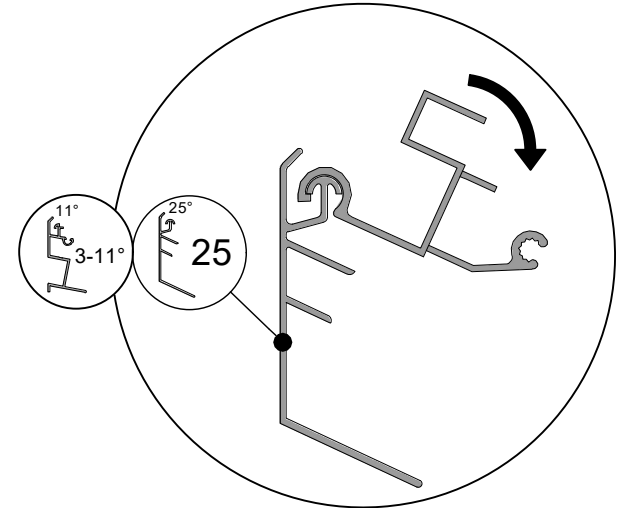
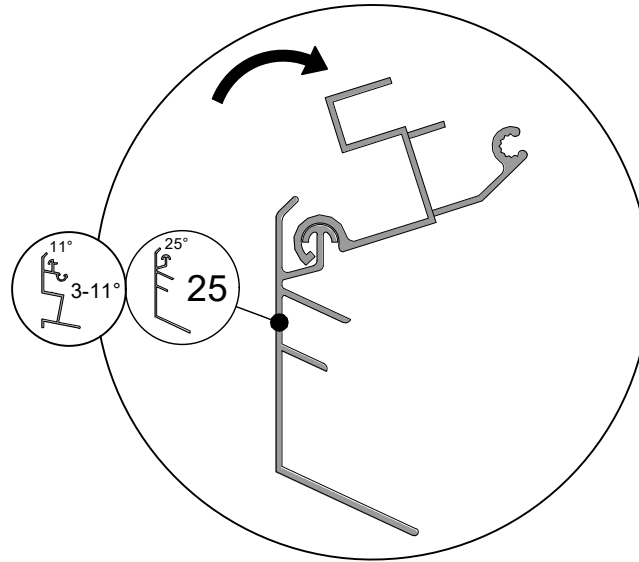
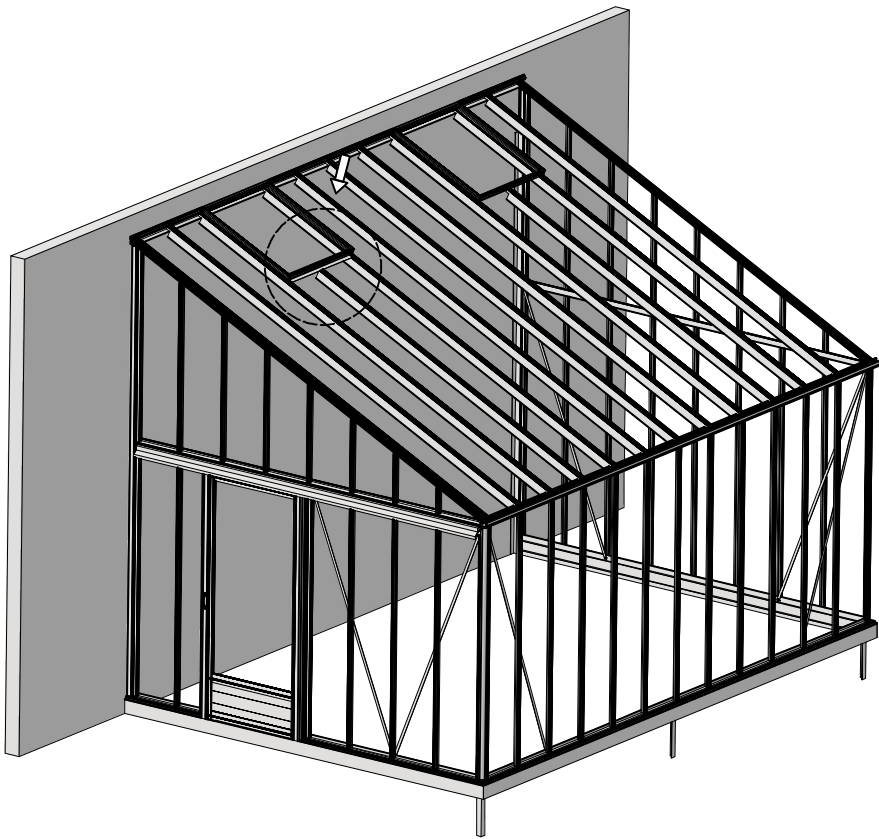
| Glass Dimensions Nv Euro-serre | | | | | | | | | | Muurserre | | | 3,07m | | | 25° | | GlassH: 1850 | |
|--------------------------------|------------|------------|------------|--------------------|--|------------|------------|--------------------|--|-----------|---------|------|-------|--|--|-----|--|--------------|--|
| Glass Size 730mm | Sides | | | Size Lenght x Wide | | Roof | | Size Lenght x Wide | | | m² | m² | | | | | | | |
| | 1850 x 360 | 1850 x 205 | 1450 x 730 | | | 3148 x 360 | 2308 x 360 | 825 x 730 | | | | | | | | | | | |
| Muurserre 3,07m x 3,09m | 21 | 1 | 1 | | | 6 | 2 | 1 | | | 15,4 | 9,1 | | | | | | | |
| Muurserre 3,07m x 3,80m | 23 | 1 | 1 | | | 6 | 4 | 2 | | | 16,8 | 11,3 | | | | | | | |
| Muurserre 3,07m x 4,57m | 25 | 1 | 1 | | | 8 | 4 | 2 | | | 18,1 | 13,6 | | | | | | | |
| Muurserre 3,07m x 5,30m | 27 | 1 | 1 | | | 8 | 6 | 3 | | | 19,4 | 15,9 | | | | | | | |
| Muurserre 3,07m x 6,04m | 29 | 1 | 1 | | | 10 | 6 | 3 | | | 20,8 | 18,1 | | | | | | | |
| Muurserre 3,07m x 6,77m | 31 | 1 | 1 | | | 12 | 6 | 3 | | | 22,1 | 20,4 | | | | | | | |
| Muurserre 3,07m x 7,53m | 33 | 1 | 1 | | | 12 | 8 | 4 | | | 23,4 | 22,7 | | | | | | | |
| Muurserre 3,07m x 8,30m | 35 | 1 | 1 | | | 14 | 8 | 4 | | | 24,7 | 24,9 | | | | | | | |
| Points | | | | | | | | | | | 3,01 m² | | | | | | | | |

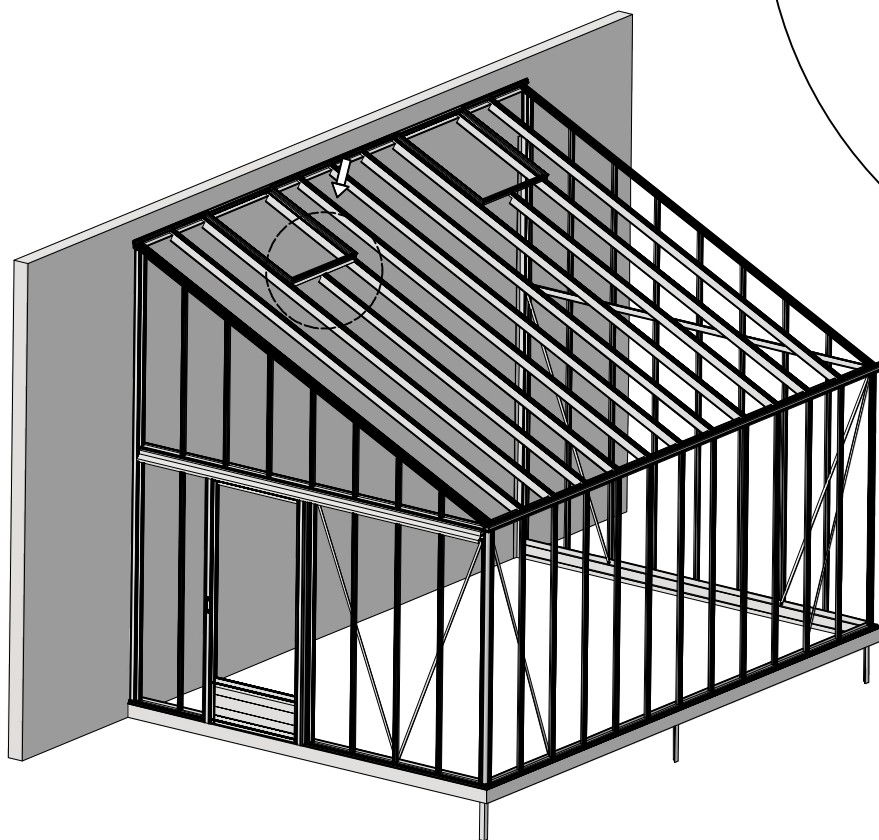
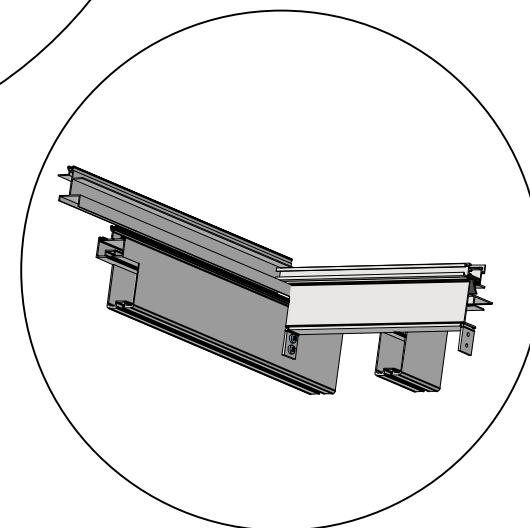
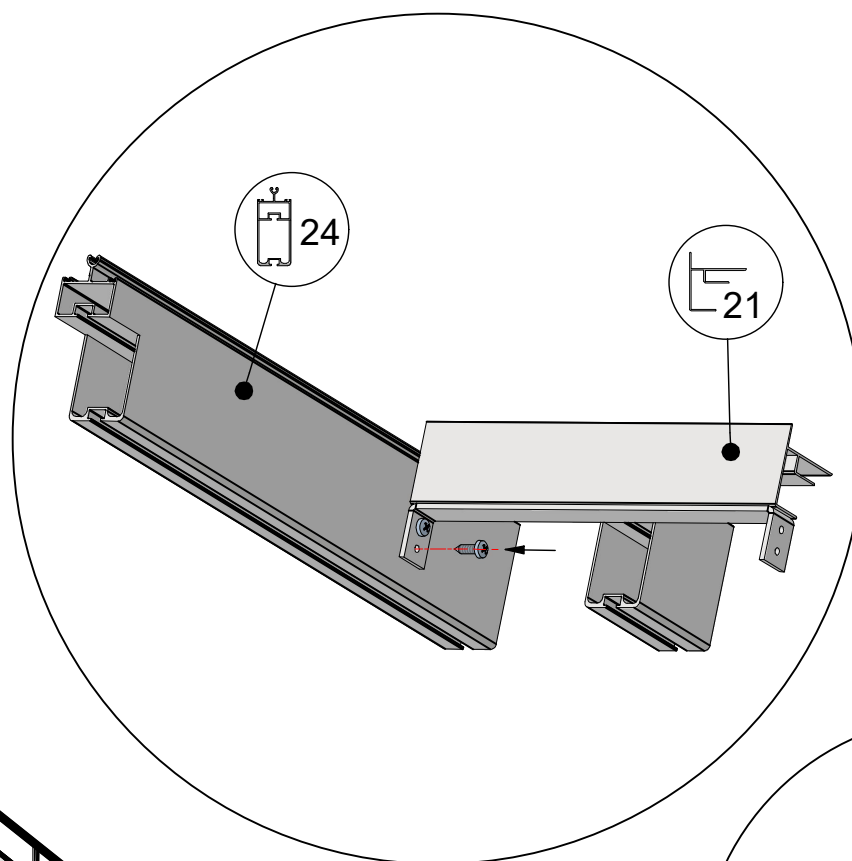
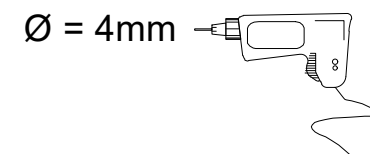
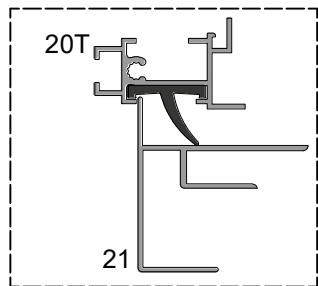


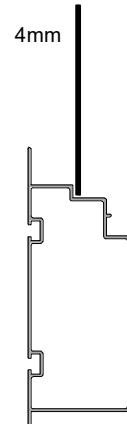
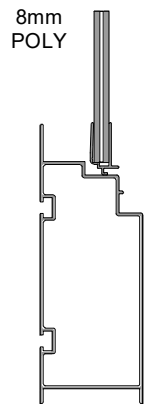
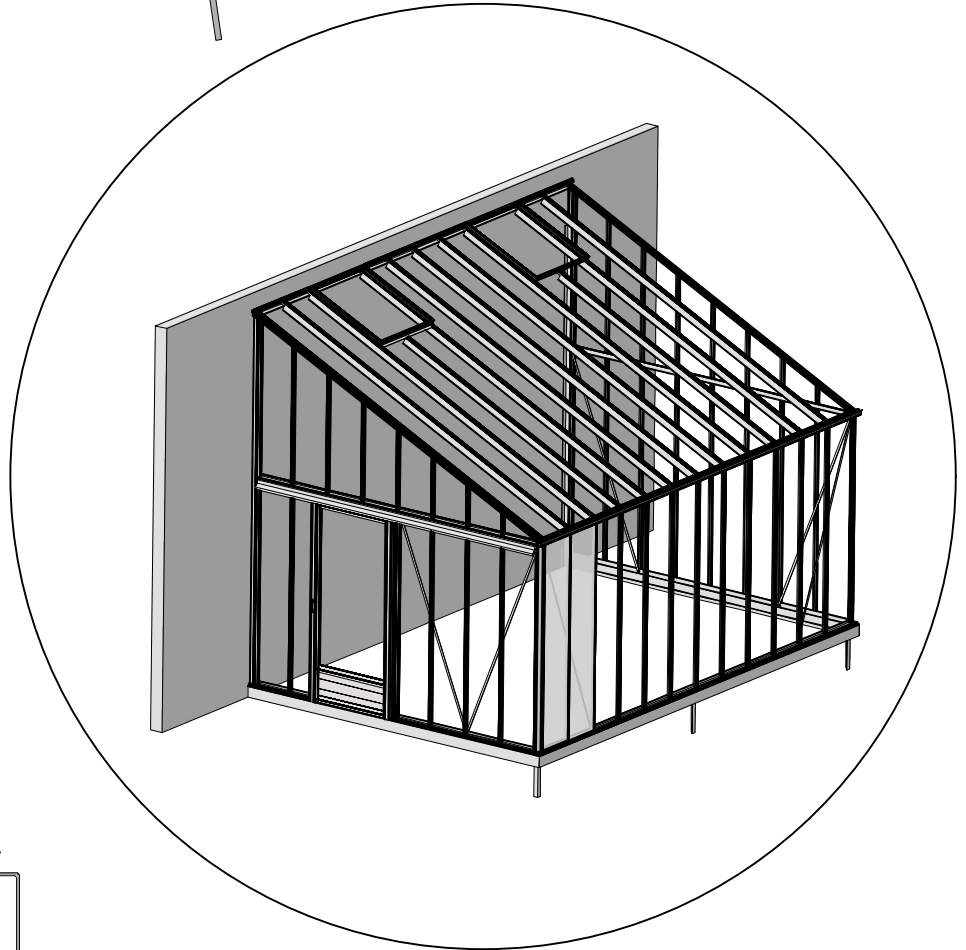
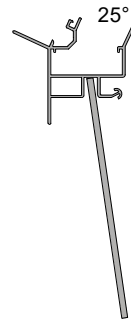
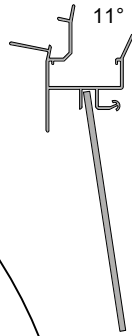
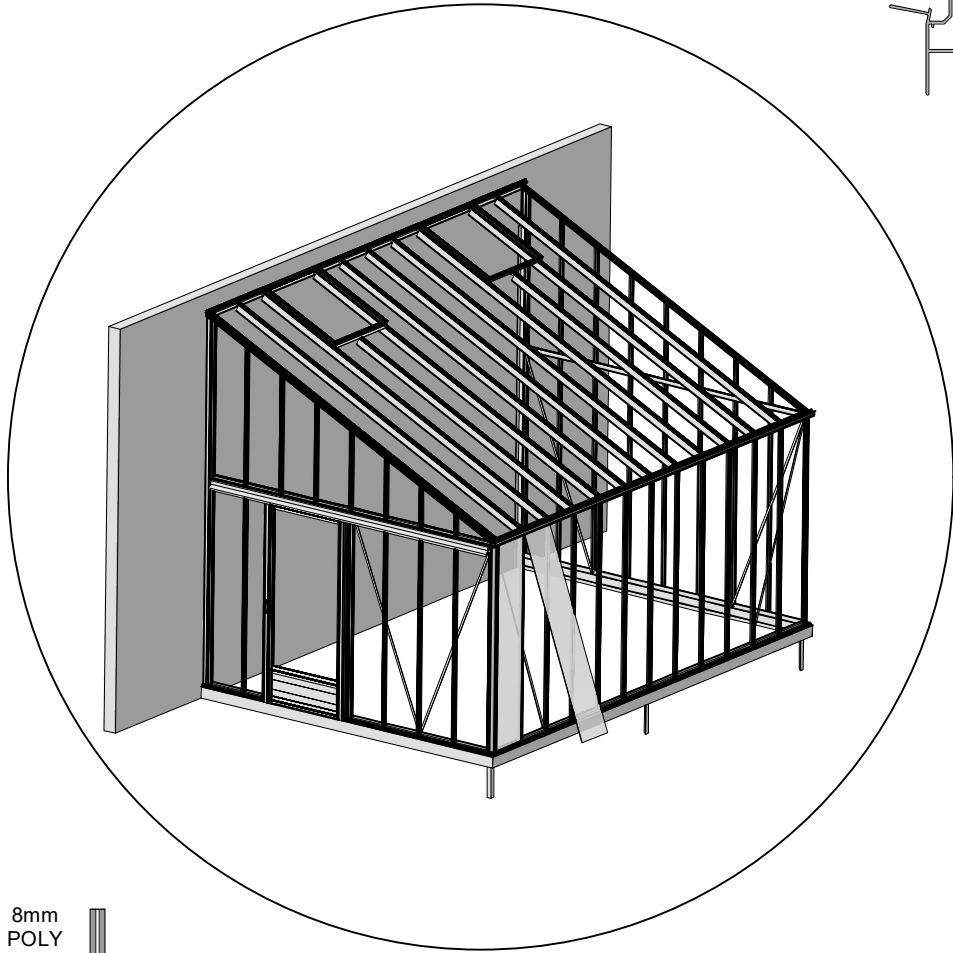
Opgemaakt op 27-10-2022

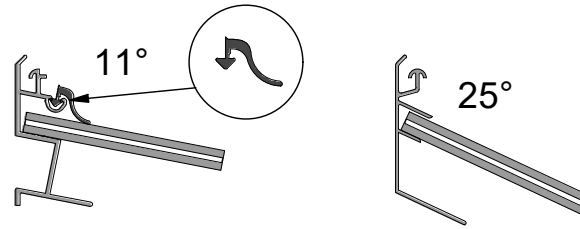
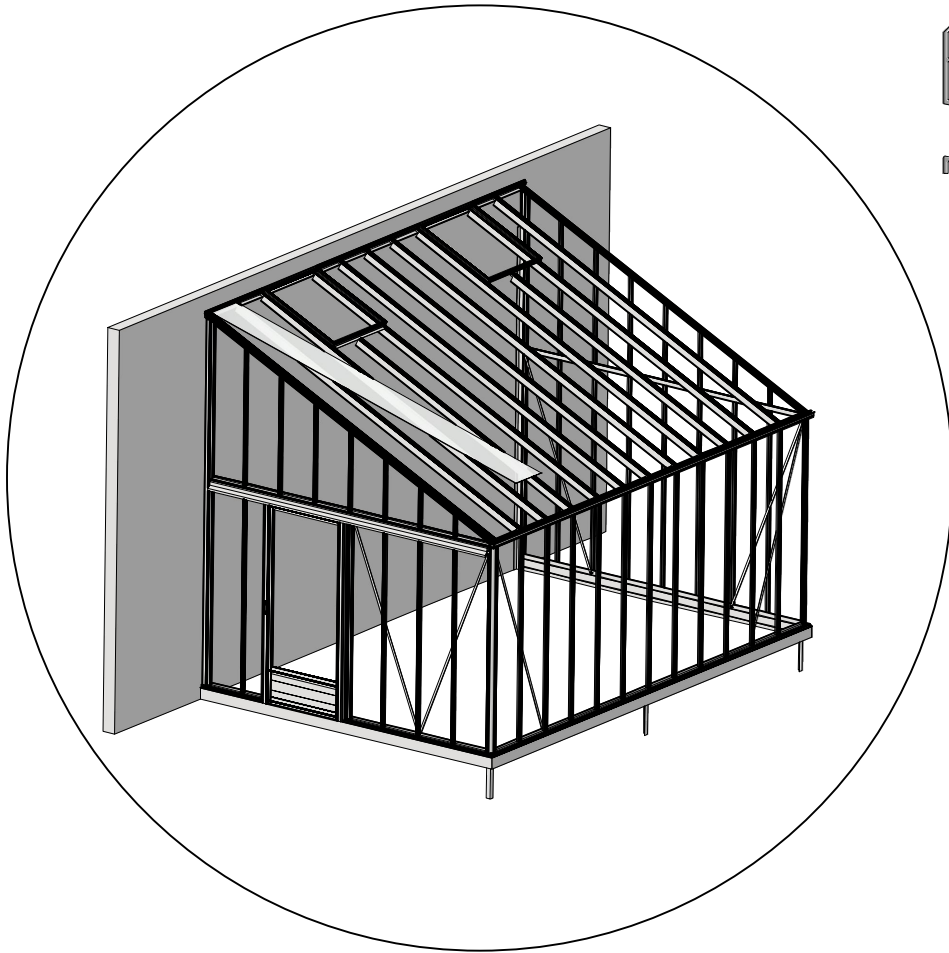
Poly



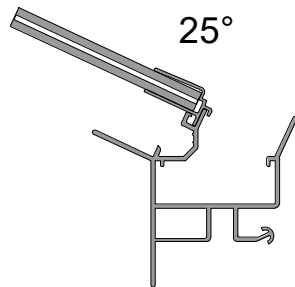
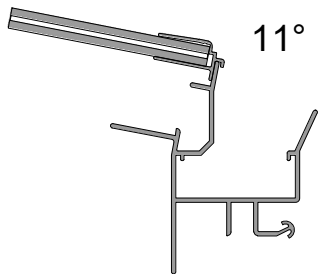




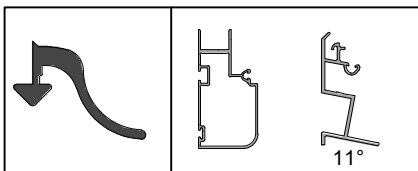
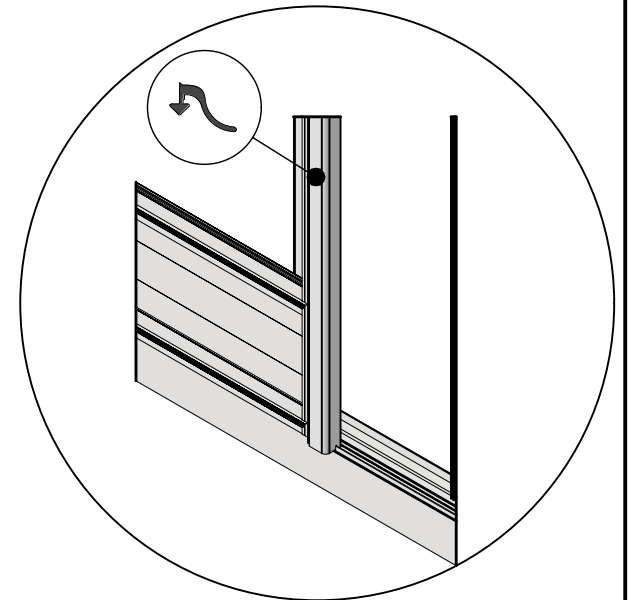
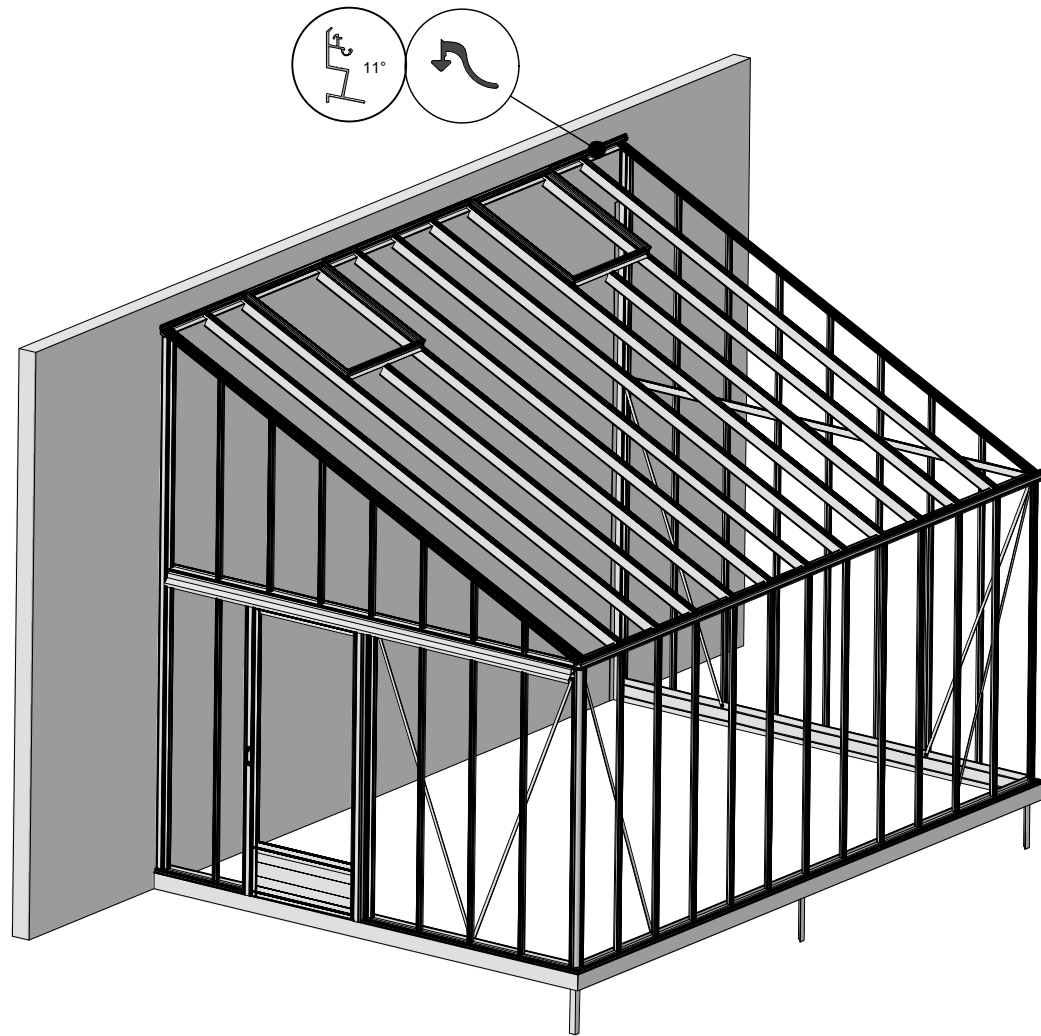


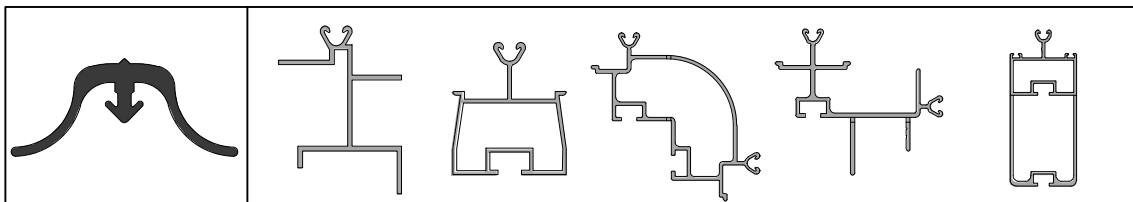
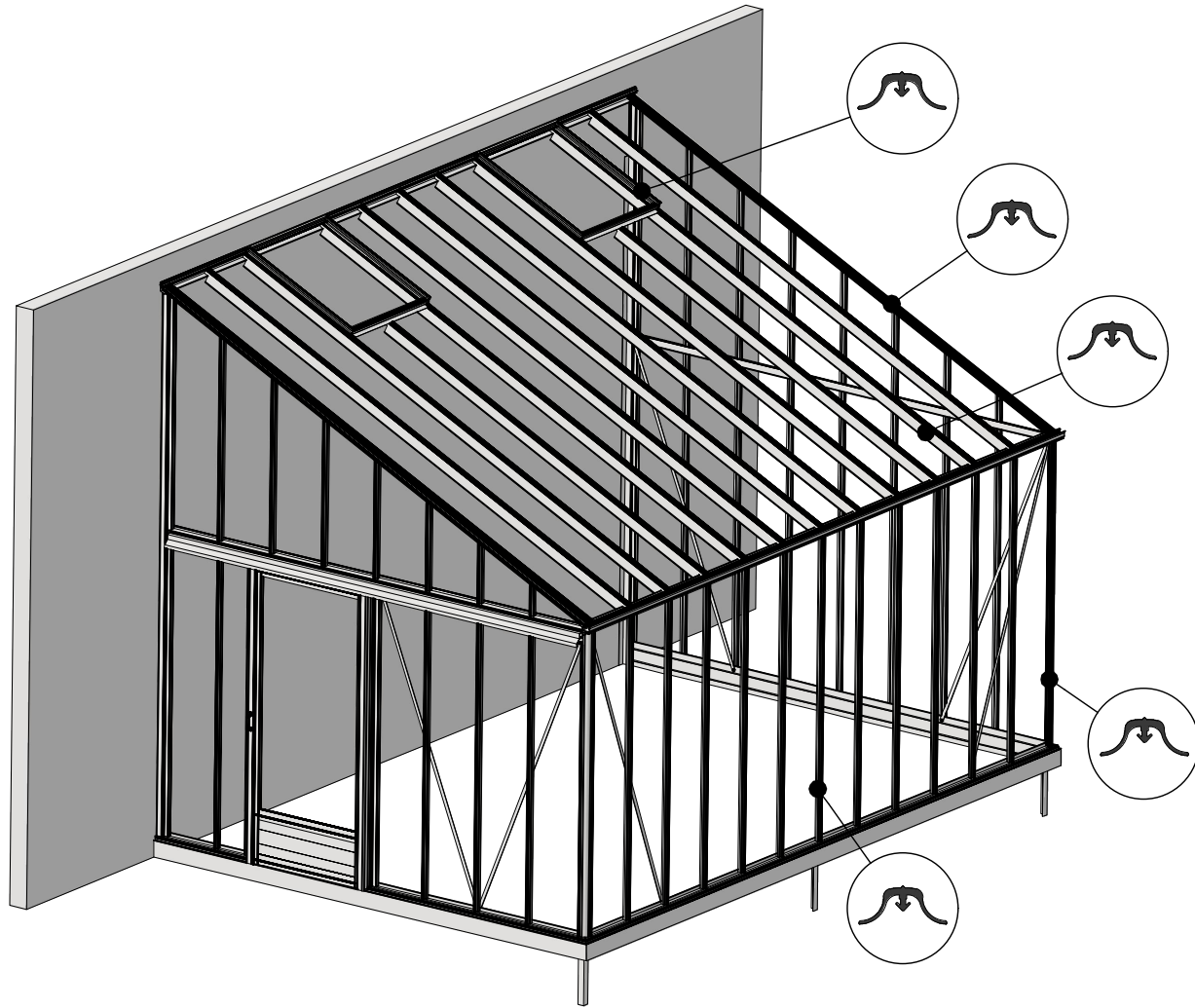


POLY

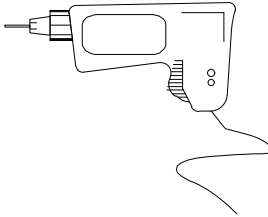


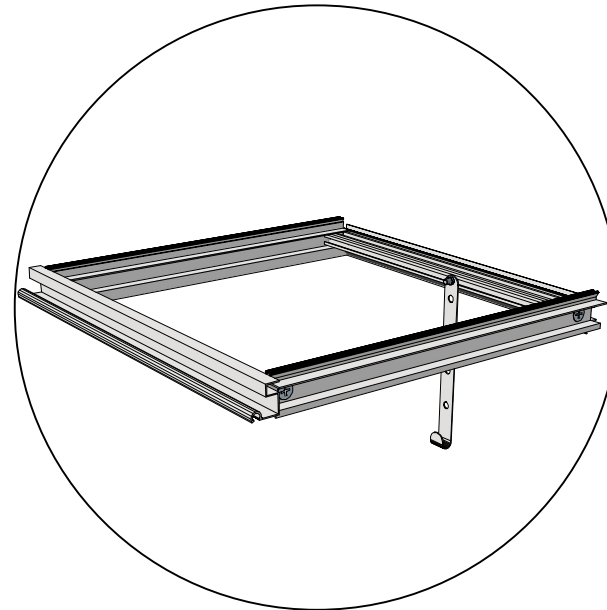
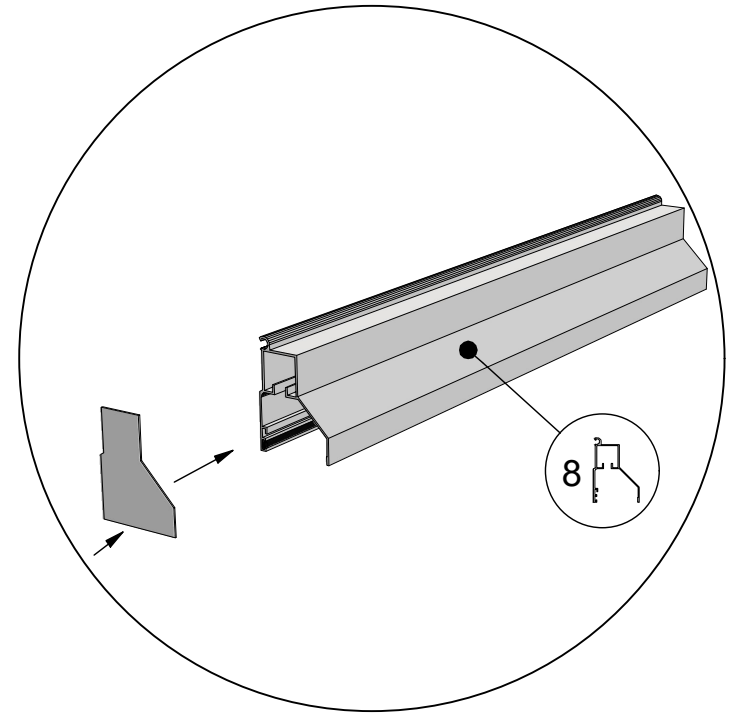
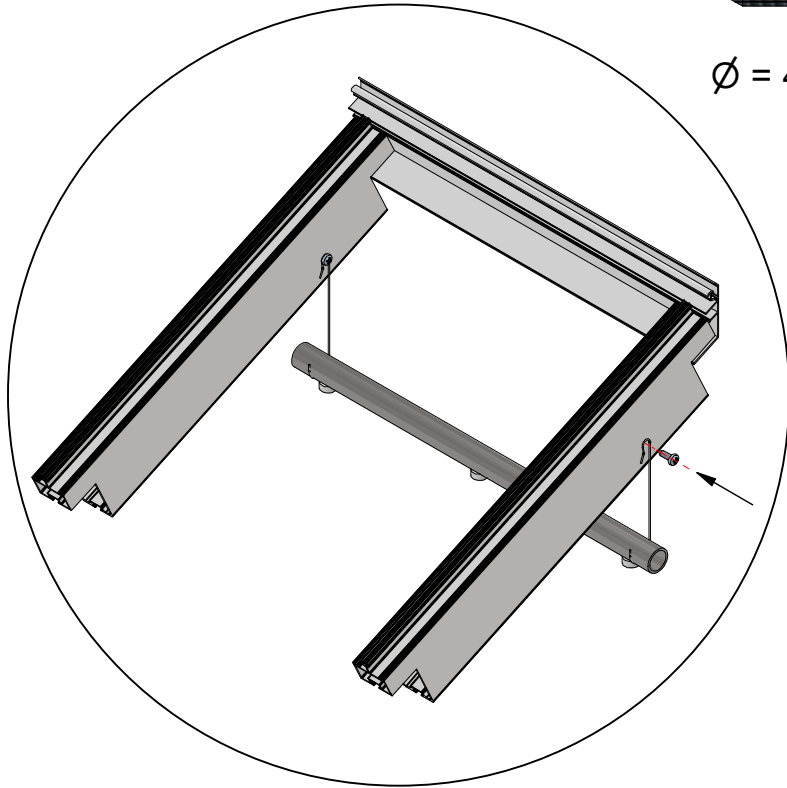


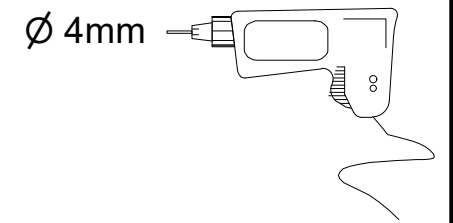
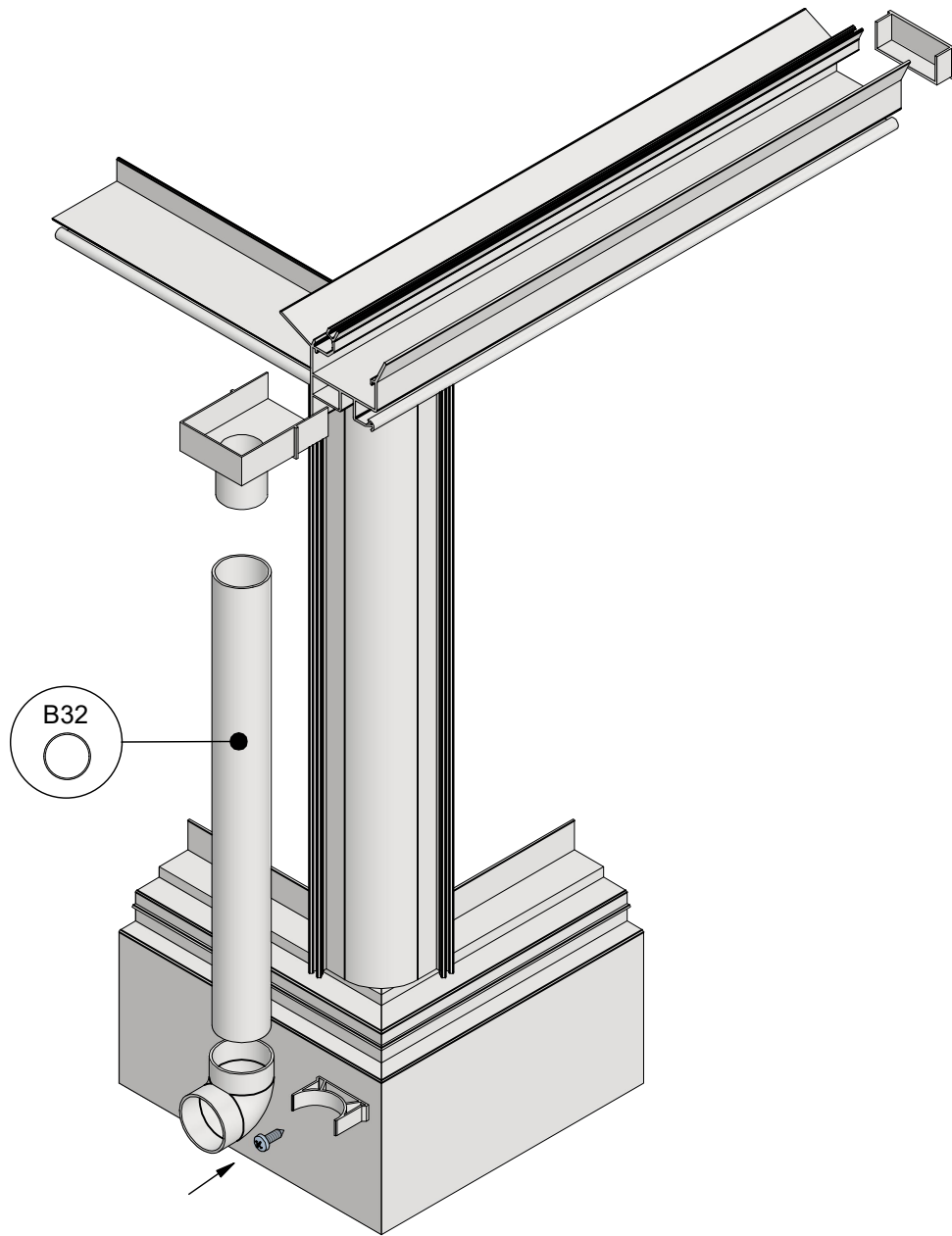




 = 4,8x16

$\varnothing = 4\text{mm}$ 







Geleenlaan 1 - 3600 Genk

ref: Muurserre Special-001 Rev. 05.10.2023

OCBS - 1148-CPR-20231003-989 C E

EN 1090-1 EXC 1

Euro-Muurserre Special

www.euroserre.com/cecertificaten